

---

## pōchē

designed by Don Killaby

In architecture, **pōchē** is a term which refers to the thickness or mass of a wall or volume, or to the space that lies beyond and is concealed by a wall. As a compositional technique it is employed to create spatial density and depth. Developed as a strong architectural / sculptural statement, **pōchē** responds to the innate desire for one to create a “sense of place”.

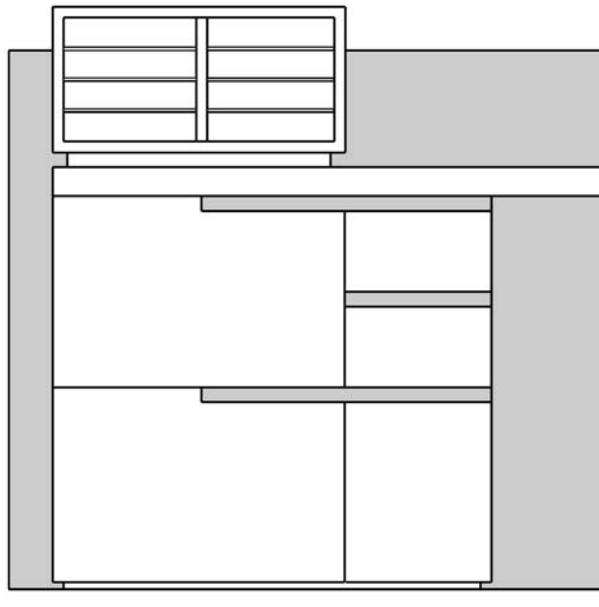
Central to this concept is the use of Core Elements as an organizing structure for the various case pieces and worksurfaces. Core Elements are three inches thick, available in heights of 37,47,57,67, and 77 inches and offer the unique opportunity to specify optional Niches which can be outfitted with Accessory Elements.

Asymmetric configurations with bold cantilevered worksurfaces are available as well as conventional symmetric offerings. Primary worksurfaces feature a unique alternating grain direction veneer pattern which, in addition to disguising junctures with adjoining surfaces, affords the opportunity to introduce optional leather inset panels and /or pinstripe accents. This also demarcates an area occupied by a 1" x 5" removable block which functions as a wire access point. A smaller (1" x 4") block is also supplied to cap the cavity and still permit wire egress.

Drawer and cabinetry pulls are standard as recessed or “incised” at 1" high x 10", 20" or 30" wide. Tall hinged door cabinet employ the same pull run vertically. A 1/8" aluminum cap is affixed to the beveled reverse and the backplate features contrast veneer. An optional protruding billet pull is available as well. Milled from solid aluminum, shallow arcs are machined into each end and a grip area into the underside.

A 5" inch module is employed for all worksurfaces, cabinets, and shelves. This module applies not only to width and depth, but to height as well. ( A single exception is that of worksurfaces height which is standard at 29" h). Worksurfaces are 2" thick and feature a unique veneer wrap construction that results in continuous wood grain in every direction.

The design of **pōchē** has been carefully developed, with proportions and details intended for maximum visual integrity while still responding to utility. Requests for modifications to **pōchē** will necessitate a review by CCN and may affect timely response to inquiries.



---

## pōchē CONCEPT & APPLICATION

---

The total aesthetic offered in **pōchē** is a result of not only forms and details, but also a series of pragmatic considerations that have been integrated into the design. It is important to understand some of these factors when planning with **pōchē**.

A five inch planning module is employed throughout the product line. This creates a simple, legible module in both the vertical and horizontal dimension and is also tied to the plate size of the veneers used. *Varying from the 5 inch module compromises the aesthetic integrity and increases cost and lead time.*

Planning with a five inch module is not as difficult as might be expected. Worksurface depths are 20"/25"/30"/35"/40" (instead of 20"/24"/30"/36"/42") lengths run 50"/55"/60"/65"/70" (rather than 48"/54"/60"/66"/72".....) It is always possible to find a five inch module within an inch or two of a module size you may be more accustomed to working with.

Core Elements, the tall vertical backwalls included in many configurations vary from this in that they are three inches thick and come in heights three inches shorter than corresponding cabinets. (ie: a 67" h Core Elements would typically be used with a 70" h wardrobe cabinet). Core Elements are also used in a way that creates a dimensional "offset" of 3 or 7 inches, but the overall length of Core Elements still adheres to the five inch module to enable the use of centered and balanced five inch veneer plates.

Core Elements are considered as feature surfaces which may be specified in a number of contrasting figured or inlay veneers. Other surfaces that are considered feature are modesty panels on the front of desks and reception desks, and the back panel of incised drawer and cabinet pulls. If a feature surface veneer is specified, it will appear in *all* these locations. Upgrade Accent Veneers are *only* to be used for these locations.

---

## FINISHES

---

All **pōchē** configurations are available in a broad range of finishes. For brevity and ease of specifying, all pricing shown in this price list reflects the use of Standard Veneer(s) from the following list. For pricing on Upgrade Accent Veneers, please contact CCN directly.

### Standard Veneers

Natural Quartered Ash  
Natural Quartered Makore

### Upgrade Accent Veneers

Natural Quartered Walnut  
Natural Quartered Wenge  
Natural Figured Ash  
Natural Figured Douka  
Natural Flat Cut Walnut  
Natural Flat Cut Wenge

Note: Upgrade Accent Veneers may *only* be used on Core Elements, modesty panels, and the recessed surface of linear cabinet/drawer pulls. These areas are indicated by shading in the illustrations in this pricelist. These areas may also be specified as contrast in standard veneers.

**pōchē** products may also be specified in FSC certified veneers. For more information on this program, contact the factory.

---

### **MATERIAL USED TO BUILD pōchē**

All **pōchē** pieces are built with veneer faced engineered composite board of 45lb. or higher density. End panels have an internal lumber core band at the bottom, allowing secure connection of adjustable leveling hardware. To assure straightness, 5-ply cross-band board is used where a horizontal span is unsupported. Drawer bottoms are ¼” 5-ply maple plywood fitted in a dado and glued in place with hot glue to assure a square drawer.

### **HARDWARE USED ON pōchē**

All casegoods are equipped with adjustable levelers with plastic glides to assure level set-up and protection of floor. All pieces are constructed square to sit level on flat surfaces. The drawers operate with ball bearing drawer slides in a black finish. Box drawers have full extension with a 50lb. capacity. File drawers have full extension slides and 110lb. capacity. Locks are not standard on **pōchē** units, but may be specified at an upcharge. Conventional locks can *only* be located where drawers or doors have an exposed side panel (the lock cylinder will be located in the side panel.) Keyless lock systems are also available. Locks have a full ¾” lock bar throw, adjustable pin system and have the capability of master keying. All lateral file units are equipped with an anti-tilt mechanism, which allows only one file drawer to be opened at a time, insuring stability of the file. Hinged doors have fully concealed three-way adjustable hinges and a magnetic catch.

### **CONSTRUCTION OF pōchē**

All casegoods are glued and clamped with dowels or compressed splines. Pedestals and modesty panels are secured with screws and reinforced with glue cleats. Metal connectors are used in conjunction with type “A” screws where a knockdown joint is necessary. Drawers are dovetail box construction with applied drawer fronts. **pōchē** worksurfaces are assembled from several individual “ planks” fabricated from veneer faced board oriented in alternating grain direction. These planks are glued and fastened together to create a unit. An individual plank may also be leather clad and a contrasting pinstripe of 1/8” thick solid wood or aluminum may be introduced where planks adjoin one another.

### **FINISH OF pōchē**

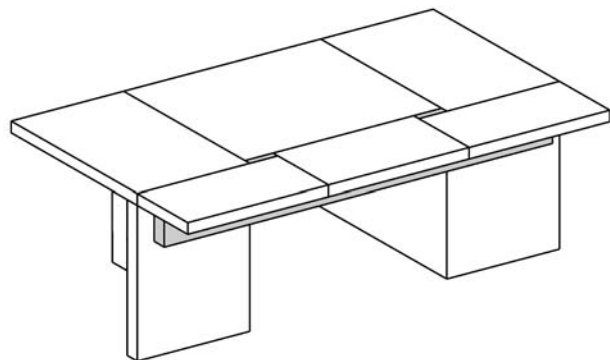
**pōchē** components are finished without toners or stains unless required to compensate for inconsistency in the wood. Any exposed undersides of panels are sprayed with a black high solid sealer to improve dimensional stability under varying climate conditions.

#### **Topcoat options:**

Standard - **Conversion Varnish LF** offers superior performance properties for office furniture. This is a catalyzed finishing system providing excellent resistance to yellowing, excellent toughness, mar resistance, resistance to household chemicals, and a satin sheen.

Upgrade - **Water White Catalyzed Polyurethane Coating** is a 2 component non yellowing automotive grade finish applied by plural component equipment. The polyurethane finish has better build capabilities and is more resistant to chemicals than the standard CCN Conversion Varnish. This finish is available for a 5% upcharge (\$500 min.) and has a satin sheen comparable to the standard.

# Table Desk



### Includes:

- (2) grommets
- 35" w kneespace (75" w)
- 40" w kneespace (80" w)
- 45" w kneespace (85" w)
- 50" w kneespace (90" w)
- 55" w kneespace (95" w)

### Options:

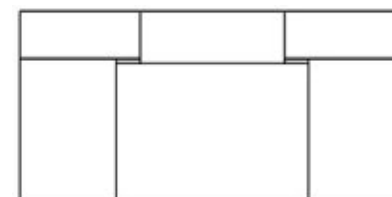
- leather inset panel
- contrast wood pinstripes
- aluminum pinstripes and grommets

	d	w	h
PDT00006-3575-0-GB2	35	75	29
PDT00006-4080-0-GB2	40	80	29
PDT00006-4085-0-GB2	40	85	29
PDT00006-4090-0-GB2	40	90	29
PDT00006-4095-0-GB2	40	95	29

elevation (seated side)



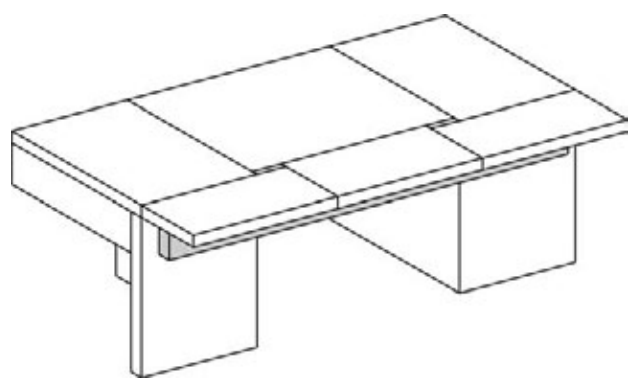
plan view



6845	277
7270	322
7312	335
7431	347
7554	360

# Table Desk

w/cantilever drawers



**Includes:**

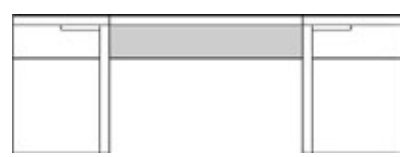
- (2) grommets
- 35" w kneespace (75" w)
- 40" w kneespace (80" w)
- 45" w kneespace (85" w)
- 50" w kneespace (90" w)
- 55" w kneespace (95" w)
- 2 cantilever box drawers

**Options:**

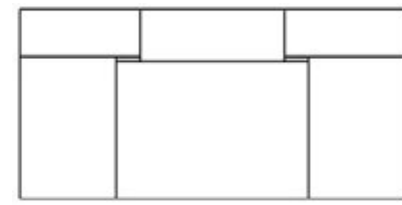
- leather inset panel
- contrast wood pinstripes
- aluminum pinstripes and grommets

	d	w	h
PDT00006-3575-JJ-GB2	35	75	29
PDT00006-4080-JJ-GB2	40	80	29
PDT00006-4085-JJ-GB2	40	85	29
PDT00006-4090-JJ-GB2	40	90	29
PDT00006-4095-JJ-GB2	40	95	29

elevation (seated side)

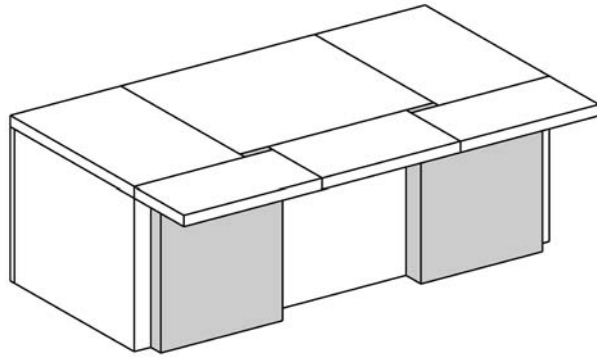


plan view



8255	307
8597	352
8718	365
8840	377
8963	390

# Symmetric Desk



**Includes:**

- (2) grommets
- kneespace as indicated
- 35" w kneespace (75" w)
- 40" w kneespace (80" w)
- 45" w kneespace (85" w)
- 50" w kneespace (90" w)
- 55" w kneespace (95" w)

**Options:**

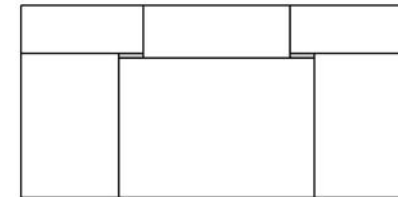
- leather inset panel
- contrast wood pinstripes
- aluminum pinstripes and grommets
- billet pulls

	d	w	h
PDS00006-3575-CC-GB2	35	75	29
PDS00006-4080-CC-GB2	40	80	29
PDS00006-4085-CC-GB2	40	85	29
PDS00006-4090-CC-GB2	40	90	29
PDS00006-4095-CC-GB2	40	95	29

elevation

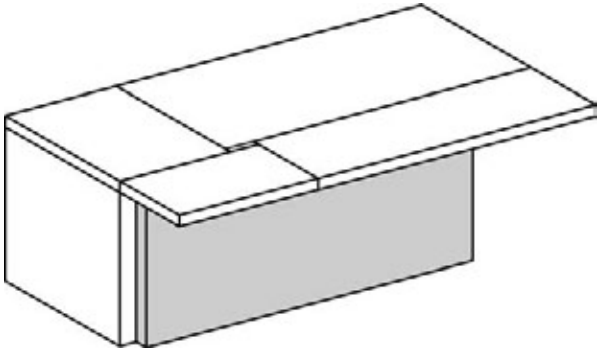


plan view



9611	381
9847	415
9974	429
10097	443
10222	457

# Asymmetric Single Ped Desk

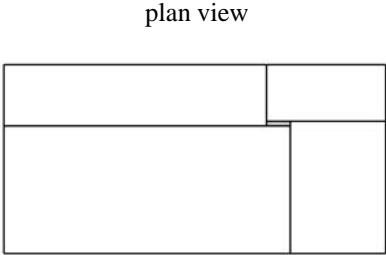
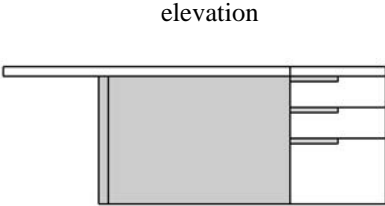


**Includes:**  
 • (1) grommet

**Options:**  
 • contrast wood pinstripes  
 • aluminum pinstripe and grommets  
 • billet pulls

Specify **Right** or **Left** (right shown)

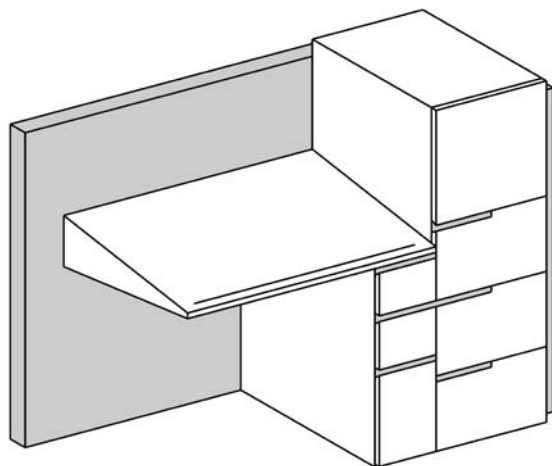
	d	w	h
PDA00004-3575- <b>CR</b> -GB1	35	75	29
PDA00004-4080- <b>CR</b> -GB1	40	80	29
PDA00004-4085- <b>CR</b> -GB1	40	85	29
PDA00004-4090- <b>CR</b> -GB1	40	90	29
PDA00004-4095- <b>CR</b> -GB1	40	95	29



6478	310
6731	348
6871	365
7016	381
7160	398

# Stand-Up Workstation

with 57" h Core Element



**Includes:**

- sloped worksurface with pencil stop

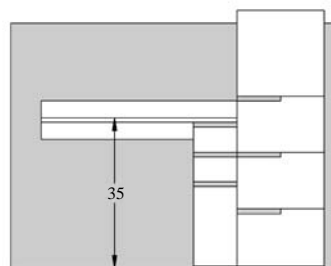
**Options:**

- kneespace access panel
- niche: 10"x35"
- finished back
- billet pulls
- worksurface at 40" h

Specify **Right** or **Left** (right shown)

	d	w	h
PDI06L5-287560- <b>R</b>	28	75	60

elevation

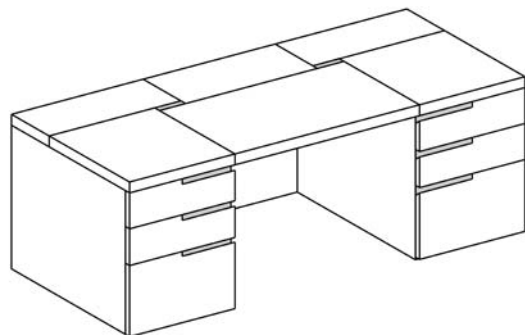


plan view



10555 453

## Symmetric Credenza



### Includes:

- full finished back
- (2) grommets
- 35" w kneespace (75" w)
- 40" w kneespace (80" w)
- 45" w kneespace (85" w)

### Options:

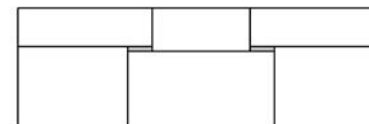
- kneespace access panel
- leather inset panel
- contrast pinstripes
- aluminum pinstripes & grommet
- billet pulls
- single piece top

	d	w	h
PCS00006-2075-CC-GB2	20	75	29
PCS00006-2080-CC-GB2	20	80	29
PCS00006-2575-CC-GB2	25	75	29
PCS00006-2580-CC-GB2	25	80	29
PCS00006-2585-CC-GB2	25	85	29

elevation

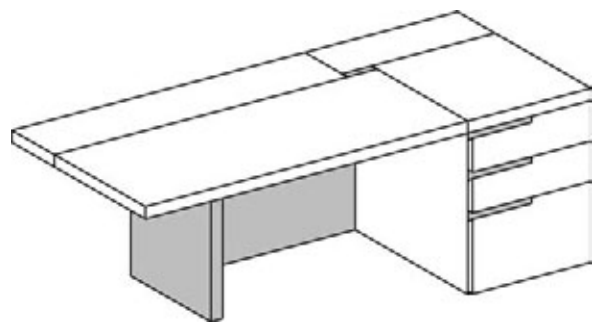


plan view



8267	286
8378	294
8375	306
8488	316
8604	326

## Asymmetric Credenza




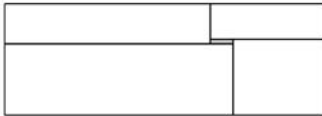
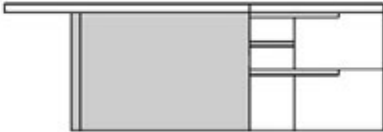
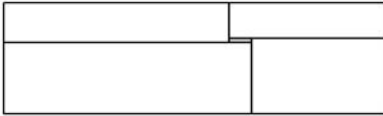
**Includes:**

- full finished back
- grommet

**Options:**

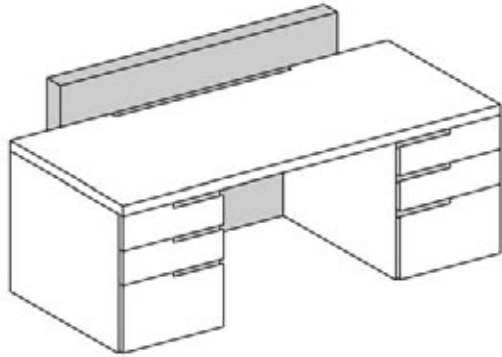
- kneespace access panel
- contrast wood pinstripes
- aluminum pinstripes & grommet
- billet pulls
- single piece top

Specify **Right** or **Left** (right shown)

	d	w	h	elevation	plan view		
PCA00004-2075- <b>CR</b> -GB1	20	75	29			5971	221
PCA00004-2080- <b>CR</b> -GB1	20	80	29			6079	230
PCA00004-2575- <b>CR</b> -GB1	25	75	29			6080	242
PCA00004-2580- <b>CR</b> -GB1	25	80	29			6191	252
PCA00004-2085- <b>aDR</b> -GB1	20	85	29			8070	315
PCA00004-2090- <b>aDR</b> -GB1	20	90	29			8181	324
PCA00004-2585- <b>aDR</b> -GB1	25	85	29			8191	339
PCA00004-2590- <b>aDR</b> -GB1	25	90	29			8300	349

# Symmetric Credenza

with abbreviated 37" h Core Element



**Includes:**

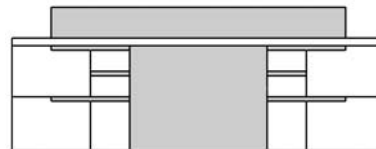
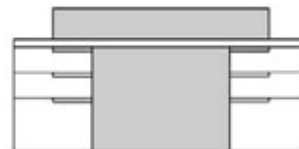
- linear wire exit
- 35" w kneespace

**Options:**

- finished back
- kneespace access panel
- 47" h Core Element
- billet pulls

	d	w	h
PCS00A31-237537-CC-LWE	23	75	37
PCS00A31-287537-CC-LWE	28	75	37
PCS00A31-239537-DaKaD-LWE	23	75	37
PCS00A31-289537-DaKaD-LWE	28	95	37

elevation



plan view



6636    294

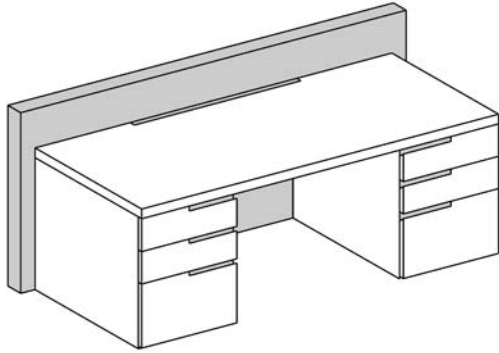
6747    315

10973    493

11100    519

# Symmetric Credenza

with extended 37" h Core Element



**Includes:**

- linear wire exit
- 35" w kneespace

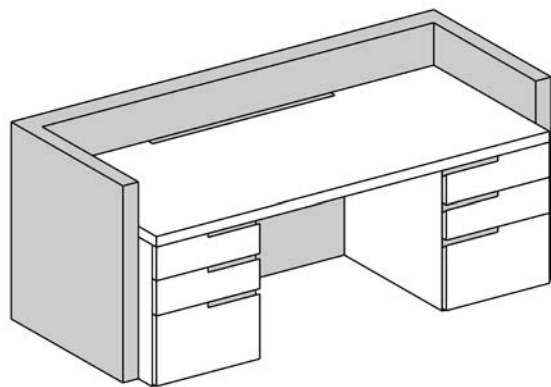
**Options:**

- finished back
- kneespace access panel
- 47" h Core Element
- billet pulls

	d	w	h	elevation	plan view	Price (US\$)	Weight (lbs.)
PCS00E31-258137-CC-LWE	25	81	37			6965	324
PCS00E31-288137-CC-LWE	28	81	37			7033	337
PCS00E31-2510137-DaKaD-LWE	25	101	37			11312	526
PCS00E31-2810137-DaKaD-LWE	28	101	37			11389	542

# Symmetric Credenza

with full wrap 37" h Core Element



**Includes:**

- linear wire exit
- 35" w kneespace

**Options:**

- kneespace access panel
- finished back
- 47" h Core Element
- billet pulls

	d	w	h
PCS00U31-258137-CC-LWE	25	81	37
PCS00U31-288137-CC-LWE	28	81	37
PCS00U31-2510137-DaKaD-LWE	25	101	37
PCS00U31-2810137-DaKaD-LWE	28	101	37

elevation



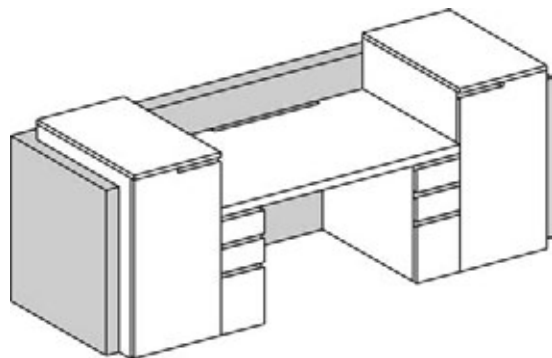
plan view



9513	413
9735	426
13855	615
14089	641

# Symmetric Credenza

with double towers & full wrap 37"h Core Element



**Includes:**

- linear wire exit
- 35" w kneespace
- 2 adj. shelves in ea. Tall storage

**Options:**

- kneespace access panel
- finished back
- billet pulls

	d	w	h
PCS04U31-2510140-aa-LWE	25	101	40
PCS04U31-2810140-aa-LWE	28	101	40

elevation



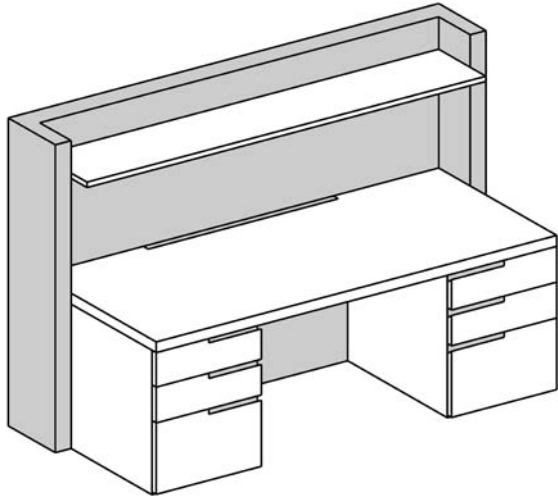
plan view



12300	596
12643	633

# Symmetric Credenza

with full wrap 57" h Core Element & shelf



**Includes:**

- linear wire exit
- 35" w kneespace

**Options:**

- kneespace access panel
- finished back
- 67" h Core Element (70" o.a.ht.)
- billet pulls

	d	w	h
PCSS0U51-288157-CC-LWE	28	81	57

elevation



plan view



10470    464

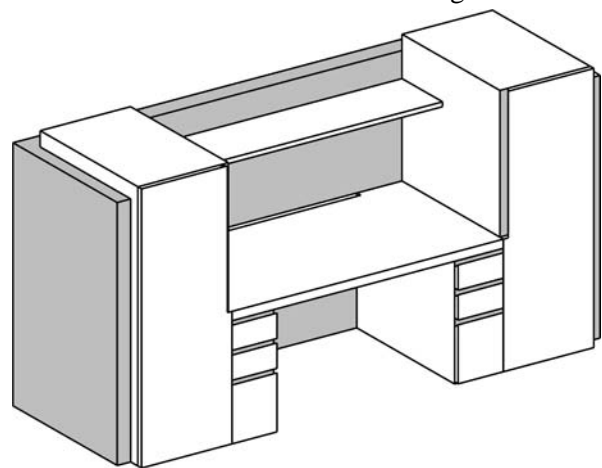
PCSS0U51-2810157-DaKaD-LWE	28	101	57
----------------------------	----	-----	----



14907    683

# Symmetric Credenza

with 57" Core Element and 2 tall storage

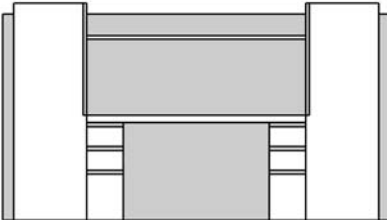
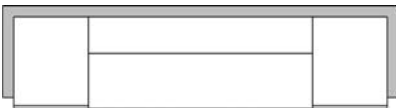
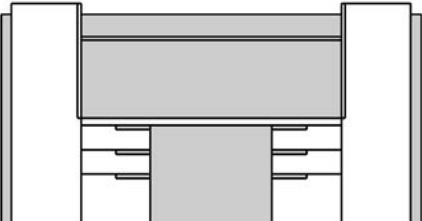
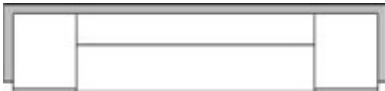


### Includes:

- linear wire exit
- 35" w kneespace
- 2 storage cabinets w/shelves
- 3 adj. shelves in ea. tall storage

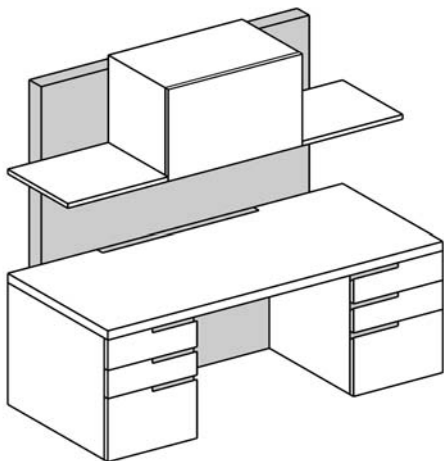
### Options:

- kneespace across panel
- finished back
- 67" h Core Element ( 70" h o.a.ht.)
- 70" h storage cabinets
- billet pulls

	d	w	h	elevation	plan view	Price (US\$)	Weight (lbs.)
PCSS6U51-2810160-aa-LWE	28	101	60			15240	811
PCSS6U51-2812160-CC-LWE	28	121	60			15959	870

# Symmetric Credenza

with 67" h abbreviated Core Element



**Includes:**

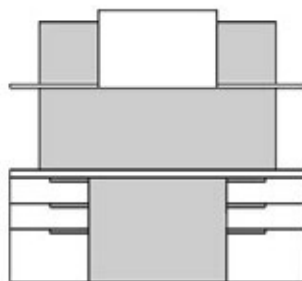
- linear wire exit
- 30" w flip-up door storage above
- 2 shelves
- 40" w kneespace (80" w)

**Options:**

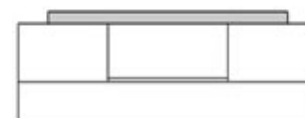
- niche: 10"x30"    20"x30"
- kneespace
- finished back
- 77" h Core Element (80" o.a.ht.)
- billet pulls

	d	w	h
Credenza + Core Elements PCS00A61-288067-CC-LWE	28	80	67
Upper Storage PSW7F7-158020	15	80	20

elevation



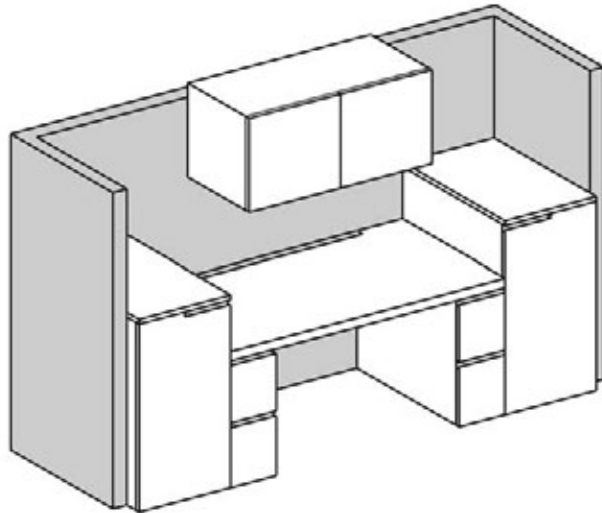
plan view



	7269	366
	932	52
<b>total</b>	<b>7791</b>	<b>418</b>

# Symmetric Credenza

with full wrap 67" h Core Element



### Includes:

- linear wire exit
- 40" w kneespace
- 2 hinged doors above
- 2 adj. shelves in ea. tall storage

### Options:

- niche: 10"x40"    20"x40"  
                          10"x60"    20"x60"
- kneespace access panel
- finished back
- 77" h Core Element ( 80" o.a.ht.)
- billet pulls

d	w	h
---	---	---

elevation

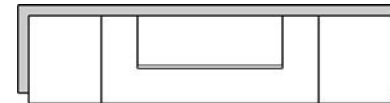
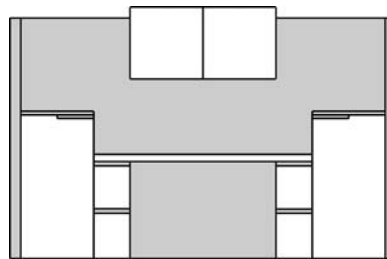
plan view

Credenza + Core Elements  
PCS04U61-2810667-bb-LWE

28	106	67
----	-----	----

Upper Storage  
PSWH-154020

15	40	20
----	----	----



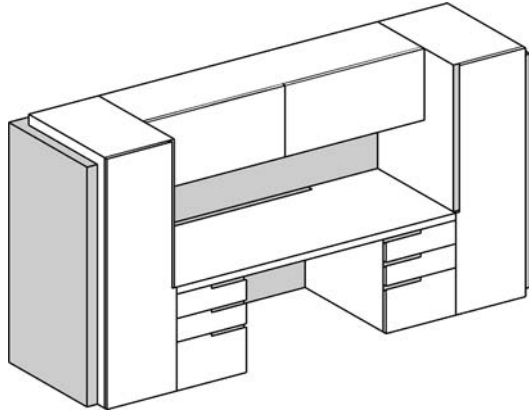
16028	835
-------	-----

1602	71
------	----

<b>total</b>	<b>17630</b>	<b>906</b>
--------------	--------------	------------

## Symmetric Executive Workstation

with full wrap 67"h Core Element and retractable door upper storage



### Includes:

- linear wire exit
- 35" w kneespace (121" w)
- 40" w kneespace (126" w)
- 2 40" w flip-up door storage above

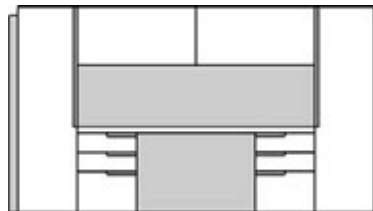
### Options:

- Locking: keyless type 1  
keyless type 2  
kneespace w/ key
- kneespace access panel
- finished back
- billet pulls

Specify **Right** or **Left** (right shown)

	d	w	h
Credenza + Core Elements PCS07U61-2812670-CC-LWE	28	126	70
Upper Storage PSWGG-158020	15	80	70

elevation



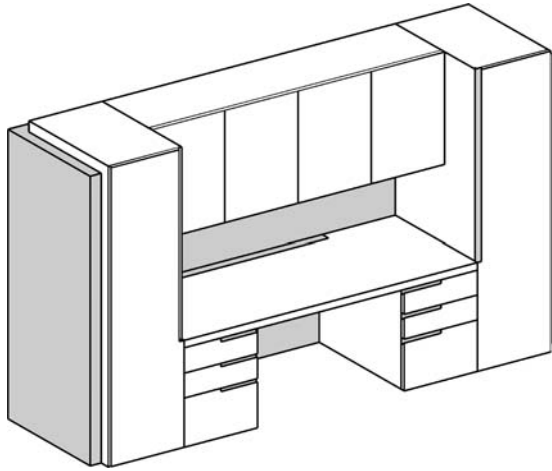
plan view



	16611	939
	3581	142
<b>total</b>	<b>20192</b>	<b>1081</b>

## Symmetric Executive Workstation

with full wrap 77"h Core Element and hinged door upper storage



### Includes:

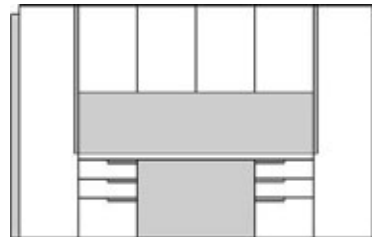
- linear wire exit
- 40" w kneespace
- 4 hinged doors above
- wardrobe tall storage at right
- multi shelf tall storage at left

### Options:

- kneespace access panel
- niche: 10"x40"    20"x40"  
                  10"x80"    20"x80"
- finished back
- billet pulls

	d	w	h
PCSW8U71-2812080-CC-LWE	28	120	80
PCSW8U71-2812680-CC-LWE	28	126	80

elevation



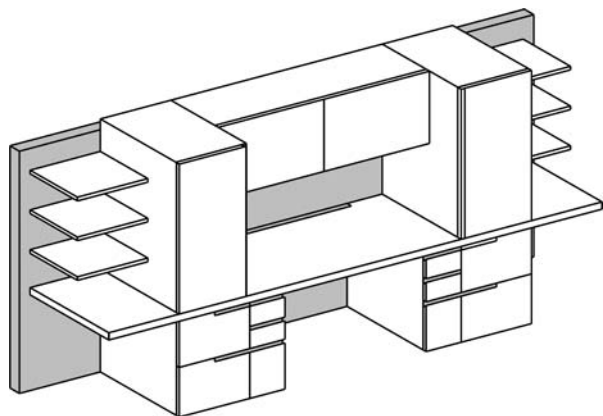
plan view



20967	1206
21213	1238

# Symmetric Executive Workstation

with 67" h extended Core Element



**Includes:**

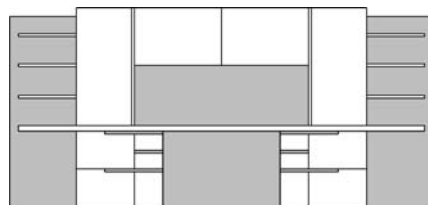
- linear wire exit
- 40" w kneespace
- 2 30" w flip-up door storage above
- 6 fixed position shelves

**Options:**

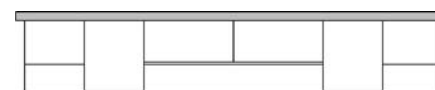
- kneespace access panel
- finished back
- 77" h Core Element (80" h o.a.ht.)
- billet pulls

	d	w	h
PCXF4E61-2815470-DaKaD-LWE	28	154	70

elevation



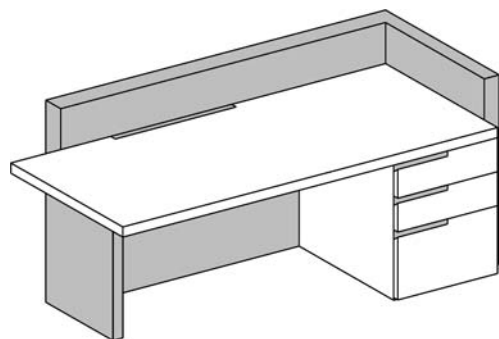
plan view



22266	1180
-------	------

# Asymmetric Credenza

with 37" h Core Element



**Includes:**

- linear wire exit

**Options:**

- kneespace access panel
- finished back
- 47" h Core Element
- billet pulls

Specify **R**ight or **L**eft (right shown)

	d	w	h
PCA00L31-287837- <b>CR</b> -LWE	28	78	37

elevation



plan view



6861    323

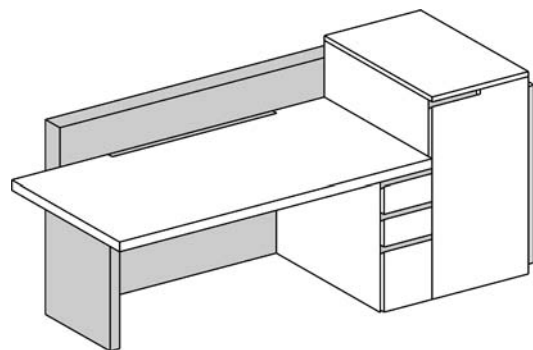
PCA00L31-288837-a <b>DR</b> -LWE	28	88	37
----------------------------------	----	----	----



9040    425

# Asymmetric Credenza

with 37" h Core Element



**Includes:**

- linear wire exit
- 2 adj. shelves in tall storage

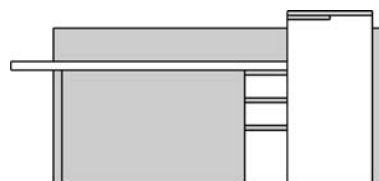
**Options:**

- kneespace access panel
- finished back
- 47" h Core Element (50" h o.a.ht.)
- 50" h hinged door storage
- billet pulls

Specify **R**ight or **L**eft (right shown)

	d	w	h
PCA04L31-287840-a <b>R</b> -LWE	28	78	40
PCA04L31-288840-a <b>R</b> -LWE	28	88	40

elevation



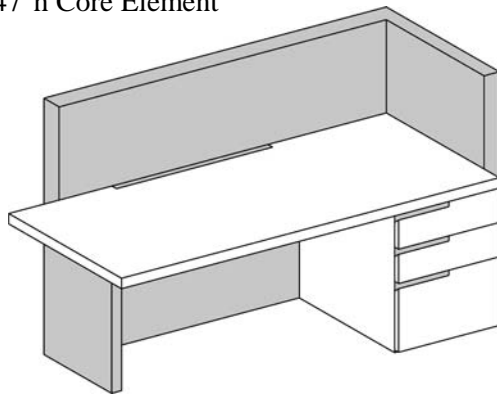
plan view



8062	399
8313	421

# Asymmetric Credenza

with 47" h Core Element



**Includes:**

- linear wire exit

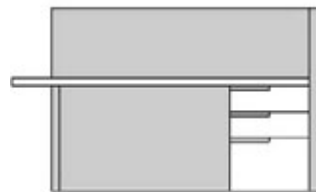
**Options:**

- kneespace access panel
- finished back
- 57" Core Element
- billet pulls

Specify **Right** or **Left** (right shown)

	d	w	h
PCA00L41-287847- <b>CR</b> -LWE	28	78	47

elevation



plan view



7238    351

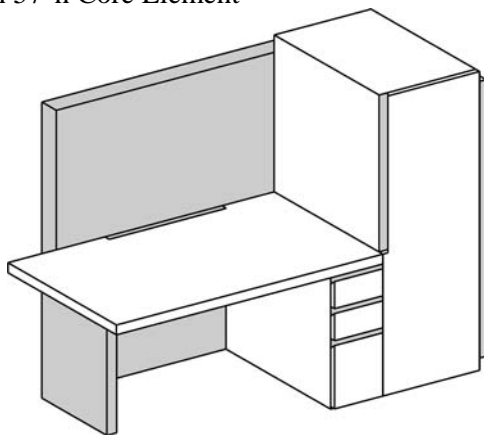
PCA00L41-288847- <b>aDR</b> -LWE	28	88	47
----------------------------------	----	----	----



9429    456

# Asymmetric Credenza

with 57" h Core Element



**Includes:**

- linear wire exit
- tall storage w/adjustable shelves
- 3 adj. shelves in tall storage

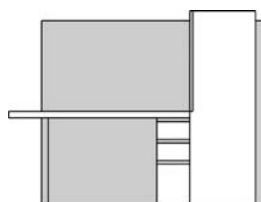
**Options:**

- kneespace access panel
- finished back
- 67" h Core Element ( 70" h o.a.ht.)
- 70" h hinged door storage
- billet pulls

Specify **R**ight or **L**eft (right shown)

	d	w	h
PCA06L51-288360-a <b>R</b> -LWE	28	83	60

elevation



plan view



9423    504

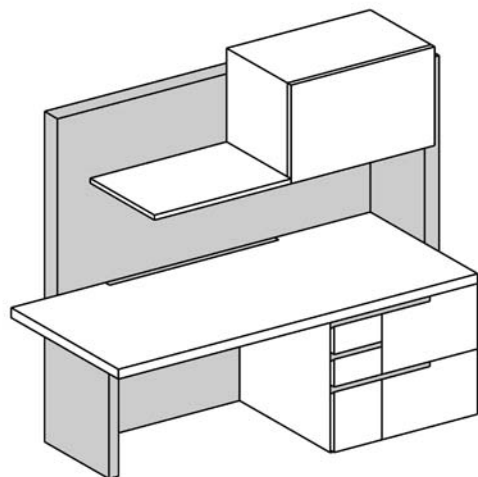
PCA06L51-288860- <b>C</b> R-LWE	28	88	60
---------------------------------	----	----	----



9634    518

# Asymmetric Credenza

with 67" h Core Element and upper storage



### Includes:

- linear wire exit
- 30" w flip-up door storage above
- 30" w upper shelf

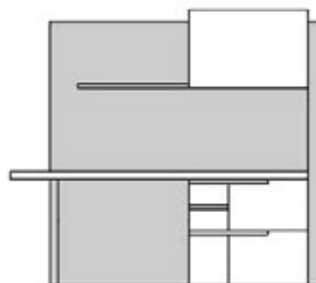
### Options:

- niche: 10"x60" 20"x60"
- kneespace access panel
- finished back
- 77" h Core Element (80" h o.a.ht.)
- 50" h hinged door storage
- billet pulls

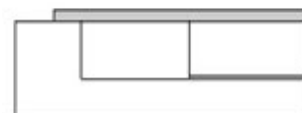
Specify **Right** or **Left** (right shown)

	d	w	h
Credenza + Core Elements PCAA0L61-288367-aDR-LWE	28	83	67
Upper Storage PSW3F-156020	15	60	20

elevation



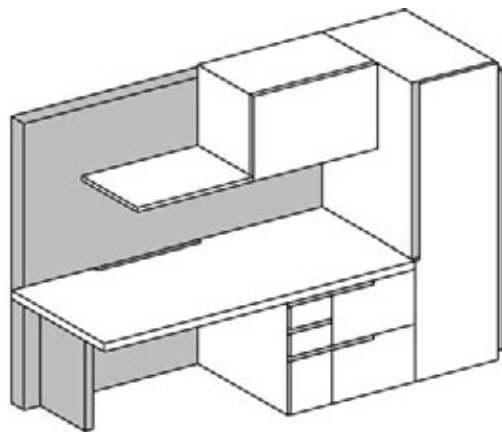
plan view



	9746	473
	1826	69
<b>total</b>	<b>11572</b>	<b>542</b>

## Asymmetric Credenza

with 67" h Core Element & upper storage



### Includes:

- linear wire exit
- 30" w flip-up door storage above
- 30" w upper shelf
- tall storage cabinet w/shelves

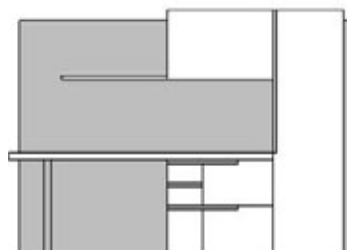
### Options:

- niche: 10"x60"   20"x60"
- kneespace
- finished back
- 77" h Core Element w/ 30" h hinged door upper storage & 70" h tall storage cabinet
- billet pulls

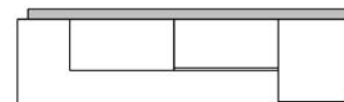
Specify **R**ight or **L**eft (right shown)

	d	w	h
Credenza + Core Elements PCA07L61-289370-aDR-LWE	28	93	70
Upper Storage PSW3F-156020	15	60	20

elevation



plan view



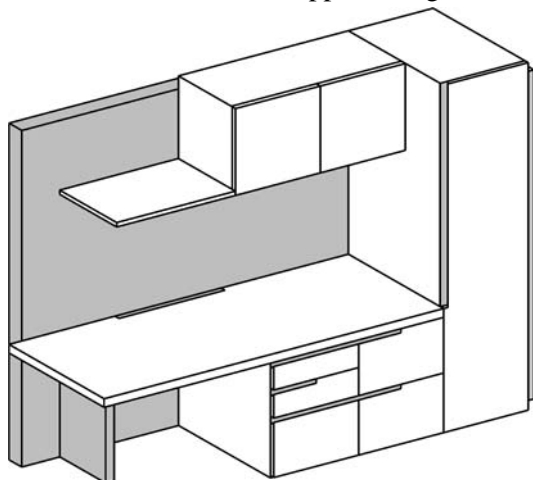
12223   655

1826   69

**total 14049   724**

# Asymmetric Credenza

with 77"h Core Element & upper storage



Specify **Right** or **Left** (right shown)

**Includes:**

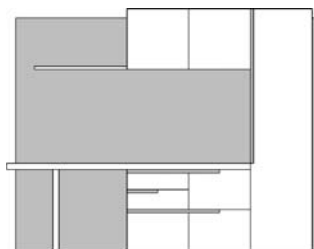
- linear wire exit
- 2 hinge doors above upper storage cabinet
- 30" w upper shelf
- tall storage cabinet w/shelves

**Options:**

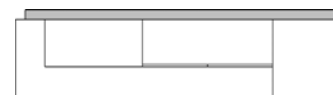
- niche: 10"x60"    20"x60"
- kneespace
- finished back
- 67"h Core Element w/ 30"h hinged door upper storage & 70"h tall storage cabinet
- billet pulls

	d	w	h
Credenza + Core Elements PCA08L71-2810380-CDR-LWE	28	103	80
Upper Storage PSW3H-157020	15	70	20

elevation

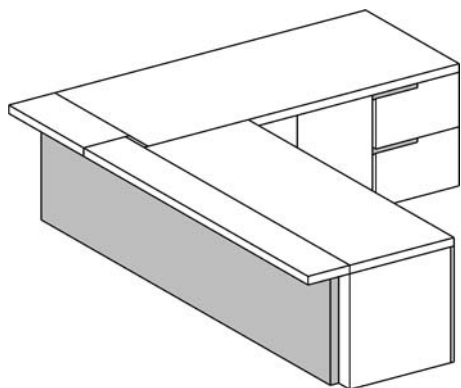


plan view



	13313	740
	1796	83
<b>total</b>	<b>15109</b>	<b>823</b>

## L- Shape Workstation



### Includes:

- grommet
- 35" w desk kneespace
- b/b/f pedestal in desk
- finished back

### Options:

- kneespace access panel
- contrast wood pinstripes
- aluminum pinstripes & grommet
- billet pulls

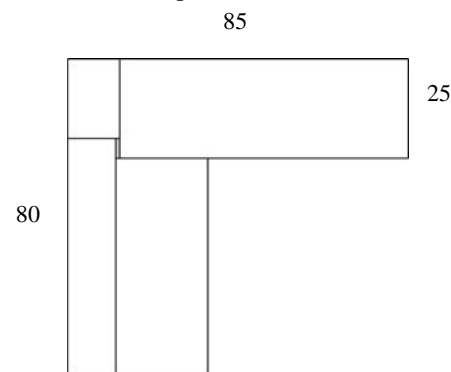
Specify **R**ight or **L**eft (right shown)

	d	w	h
Run Off Desk PD0U00L3-3580-CL-GB1	35	80	29
Return PR0-2574-DR	25	74	29

elevations

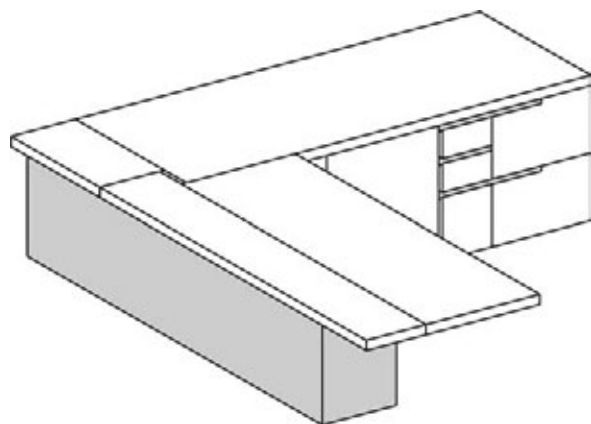


plan view



	5774	299
	4859	271
<b>total</b>	<b>10633</b>	<b>570</b>

## L- Shape Workstation



### Includes:

- grommet
- finished back
- no pedestal in run-off

### Options:

- kneespace access panel
- contrast wood pinstripes
- aluminum pinstripes & grommet
- billet pulls

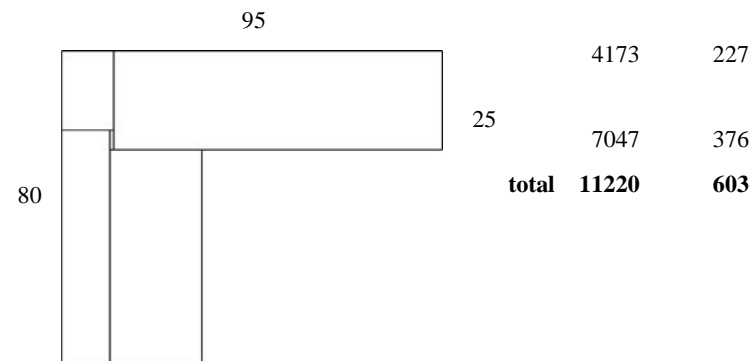
Specify **Right** or **Left** (right shown)

	d	w	h
Run Off Desk PDOU00L3-3580-0-GB1	35	80	29
Return PR0-2584-aDR	25	84	29

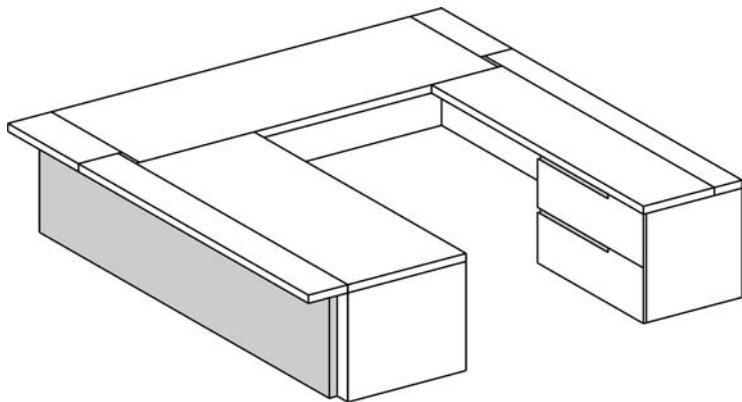
elevation



plan view



## U-Shape Workstation



### Includes:

- (2) grommets
- 35" w desk kneespace
- b/b/f pedestal in desk
- finished backs

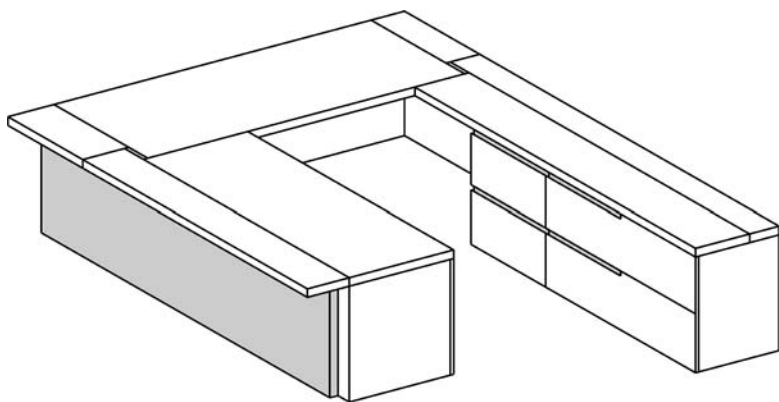
### Options:

- kneespace access panel
- contrast wood pinstripes
- aluminum pinstripes & grommets
- billet pulls

Specify **Right** or **Left** (right shown)

	d	w	h	elevation	plan view		
Run off desk PD0U00L3-3580-CL-GB1	35	80	29			5774	299
Bridge PB0-2593	25	93	29			3435	246
Run off Credenza PC0U0003-2080-FR-GB1	20	80	29			5761	264
<b>total</b>						<b>14990</b>	<b>809</b>

## U-Shape Workstation



### Includes:

- (2) grommets
- 35" w desk kneespace
- b/b/f pedestal in desk
- finished backs

### Options:

- kneespace access panel
- contrast wood pinstripes
- aluminum pinstripes & grommets
- billet pulls

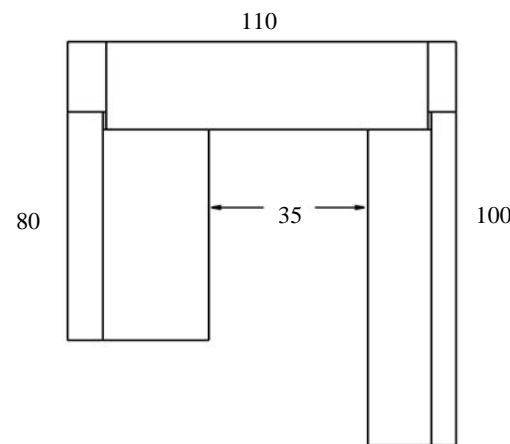
Specify Right or Left (right shown)

	d	w	h
Run off desk PD0U00L3-3580-CL-GB1	35	80	29
Bridge PB0-2588	25	88	29
Run off Credenza PC0U0003-20100-DFR-GB1	20	100	29

elevation



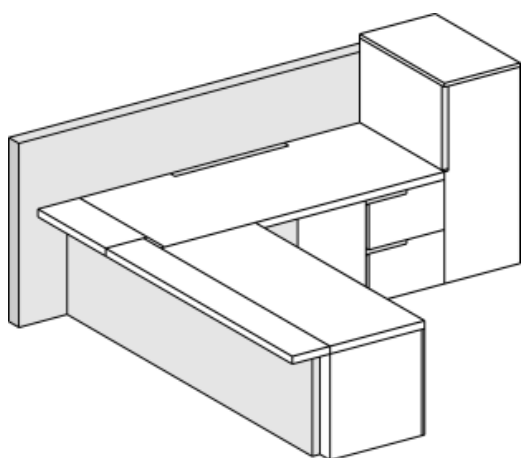
plan view



	5774	299
	3303	234
	8267	389
<b>total</b>	<b>17344</b>	<b>922</b>

# Assymetric Administrative Workstation

with 47" h Core Element and run off desk



**Includes:**

- grommet
- linear wire exit
- 35" w desk kneespace
- b/b/f pedestal in desk
- tall storage w/2 adj. shelves

**Options:**

- kneespace access panel
- contrast wood pinstripes
- aluminum pinstripes & grommet
- billet pulls
- finished back

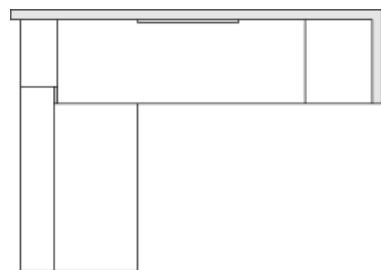
Specify **R**ight or **L**eft (Right shown)

	d	w	h
Run Off Desk			
PD0U00L3-3580-CL-GB1	35	80	29
Return + Core Elements			
PR005P41-2812050-DR-LWE	28	120	50

elevation



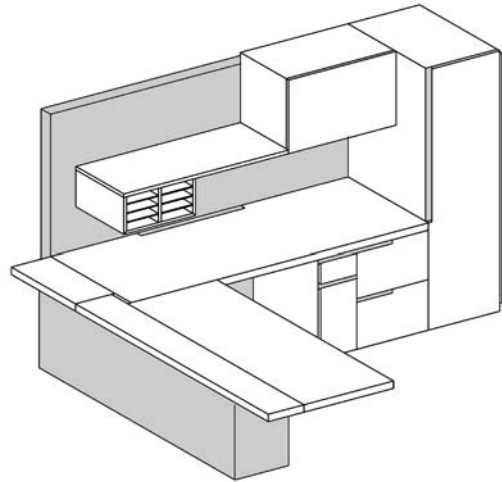
plan view



	5774	299
	8993	500
<b>total</b>	<b>14767</b>	<b>799</b>

# Asymmetric Executive Workstation

with 67" h Core Element and run off worksurface



**Includes:**

- grommet
- linear wire exit
- 30" w flip-up door storage above
- wardrobe tall storage
- kneespace access panel
- sorter/organizer

**Options:**

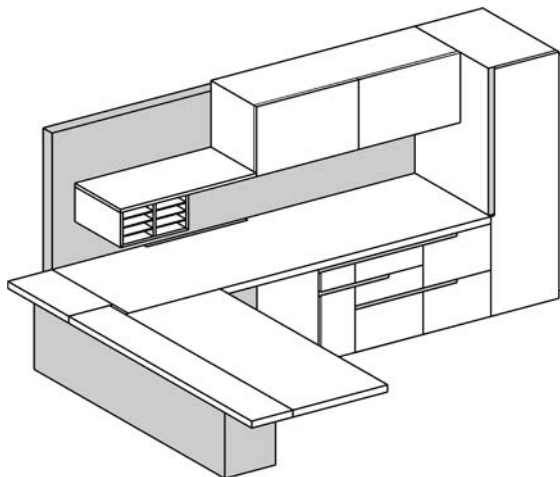
- niche: 10"x60"    20"x60"
- finished back
- 77" h Core Element w/ 30" h hinged door upper storage & 80" h tall storage cabinet
- contrast wood pinstripes
- aluminum pinstripes & grommet
- billet pulls

Specify **Right** or **Left** (right shown)

	d	w	h	elevation	plan view		
Run off desk PDOU00L3-3575-0-GB1	35	75	29			4036	212
Return w/Anchor + Core Elements PR007L61-2810470-bDR-LWE-KAP	28	104	70			11992	665
Upper storage PSWD5F-158030	15	80	30			2966	110
						<b>total</b>	<b>18994    987</b>

# Asymmetric Executive Workstation

with 67" h Core Element and run off worksurface



### Includes:

- grommet
- linear wire exit
- 2 30" w flip-up door storage above
- 40" w shelf
- wardrobe tall storage
- kneespace access panel
- sorter/organizer

### Options:

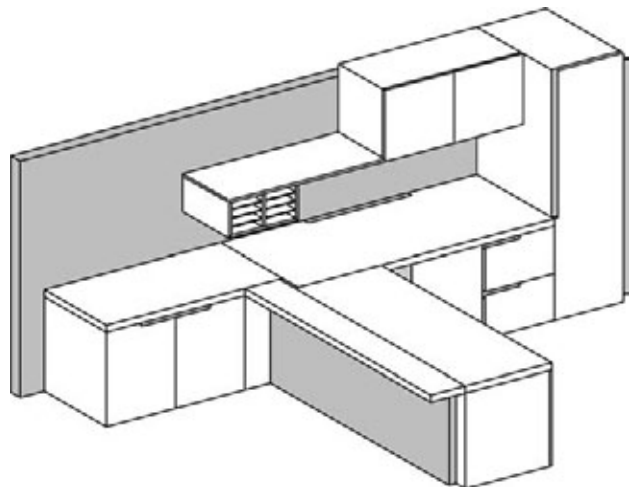
- pencil drawer
- niche: 10"x80"    20"x80"
- finished back
- 77" h Core Element w/ 30" h hinged door upper storage & 80" h tall storage cabinet
- contrast wood pinstripes
- aluminum pinstripes & grommet
- billet pulls

Specify **Right** or **Left** (right shown)

	d	w	h	elevation	plan view			
Run off desk PDOU00L3-4080-0-GB1	40	80	29			4280	246	
Return w/Anchor + Core Elements PR007L61-2812770-aCDR-LWE-KAP	28	127	70			14707	811	
Upper storage PSWD4FF-1510030	15	100	30			4547	162	
						<b>total</b>	<b>23534</b>	<b>1219</b>

# T Shape Workstation

with 67"h Core Element and run off desk



### Includes:

- grommet
- linear wire exit
- b/b/f pedestal in runoff desk
- f/f pedestal in return
- 2-20"w hinged door upper storage cabs.
- wardrobe tall storage
- 45"w shelf
- kneespace access panel
- sorter/organizer

### Options:

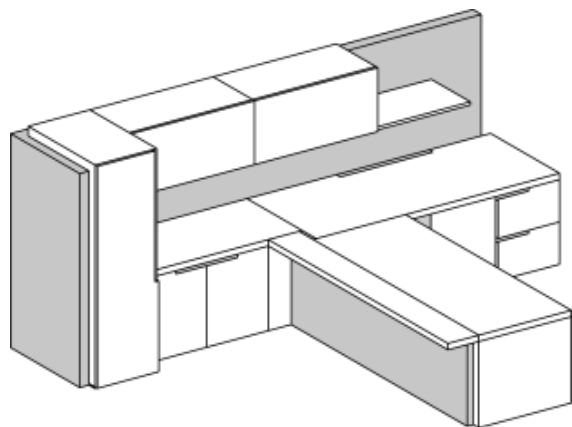
- niche: 10" x 75"    20" x 75"
- finished back
- 77"h Core Element w/ 30"h hinged door upper storage & 80"h tall storage cabinet
- contrast pinstripes
- aluminum pinstripes & grommet
- billet pulls

Specify **Right** or **Left** (right shown)

	d	w	h	elevation	plan view				
Run off desk PD0U00L2-3560-CL-GB1	35	60	29			4909	238		
Credenza (2 piece) + Core Elements PC007P62-2814570-HHLDLDR -LWE-KAP	28	145	70			13848	758		
Upper Storage PSWD9H-158530	15	85	30			2657	104		
						<b>total</b>	<b>21414</b>	<b>1100</b>	

# T-Shape Workstation

with 67”h Core Element and run off desk



### Includes:

- grommet
- linear wire exit
- (2) 40”w retractable door upper storage cabinets
- wardrobe tall storage
- kneespace access panel
- sorter/organizer
- one adj. shelf behind
- low hinged door storage
- b/b/f pedestal in runoff desk

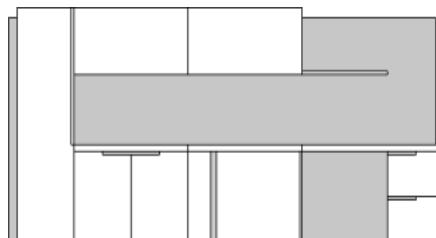
### Options:

- niche: 10”x60”  
10”x100”
- finished back
- 77”h Core Element w/ 80”h tall storage and 30”h hinged door upper storage
- contrast pinstripes
- aluminum pinstripes & grommet
- billet pulls

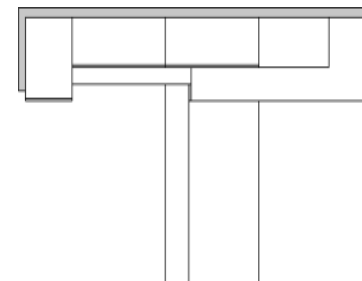
Specify **Right** or **Left** (Right shown)

	d	w	h
Run Off Desk			
PD0U00L2-4060-CL-GB1	40	60	29
Credenza (2 piece) + Core Elements			
PC007L62-2815370-HHLDR			
-LWE-KAP	28	153	70

elevation



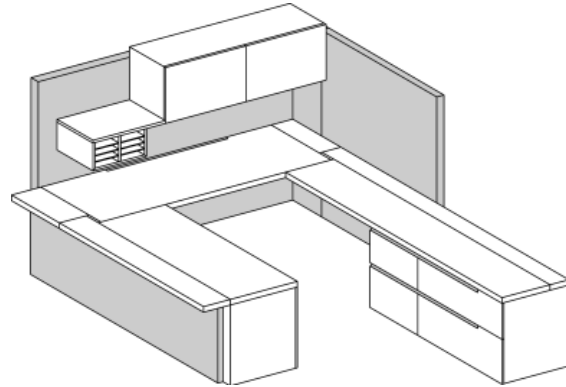
plan view



	4996	251
	14142	786
	3776	154
<b>total</b>	<b>22914</b>	<b>1191</b>

# Asymmetric Administrative Workstation

with 67”h Core Element and run off desk



### Includes:

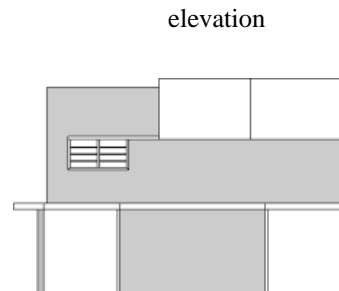
- 2 grommets
- linear wire exit
- b/b/f pedestal in desk
- f/f pedestal and f/f lat. file in cred.
- 2 30”w flip-up door storage above
- 30”w shelf
- kneespace access panel
- sorter/organizer

### Options:

- niche 10”x70” 20”x70”
- finished backs
- contrast wood pinstripes
- aluminum pinstripes & grommet
- billet pulls

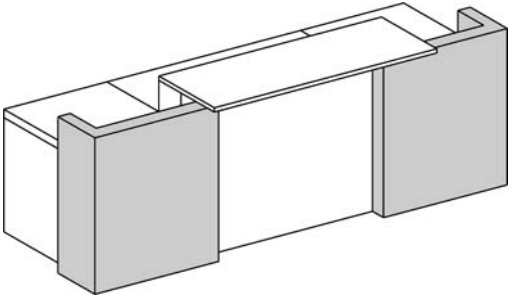
Specify **Right** or **Left** (Right shown)

	d	w	h
Runoff Desk PD0U00L3-3575-CL-GB1	35	75	29
Bridge PB000BN1-2583-0-LWE	25	83	29
Runoff Credenza PC0U0N03-25110-DFR-GB1	25	110	29
Core Element PWW1L2-159767-0-KAP	15	97	67
Core Element PWW2-34567	3	45	67
Upper Storage PSWD3FF-159030	15	90	30



	plan view	Price (US\$)	Weight (lbs.)
	108	5636	284
	78	1962	115
	113	7023	313
		3588	206
		2178	145
		4513	158
		<b>total 24900</b>	<b>1221</b>

# Symmetric Reception Desk



**Includes:**

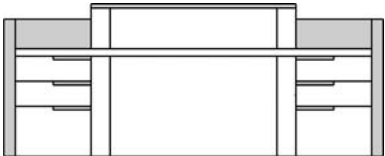
- (2) grommets
- 50" w kneespace
- wood transaction shelf
- (2) b/b/f pedestals

**Options:**

- gallery area sorter/organizer
- bud vases (2)
- contrast wood pinstripes
- aluminum transaction surface
- aluminum pinstripes & grommets
- billet pulls
- Core Element side extensions

	d	w	h
PDSRT005-349641-CC-GB2	34	96	41

elevation

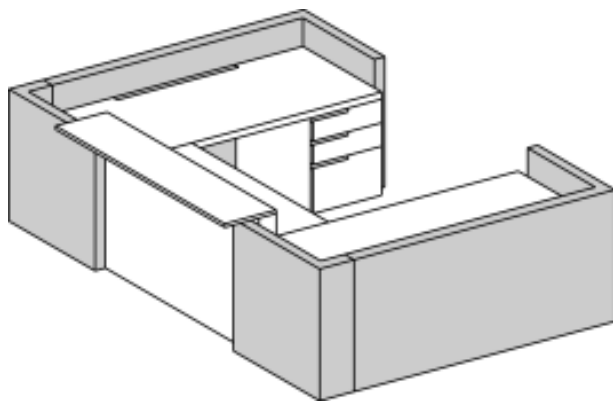


plan view



13322    538

# U-Configuration Reception Desk



**Includes:**

- (2) grommets
- 2 linear wire exits
- b/b/f pedestal in r.h. return
- f/f pedestal in l.h. return

**Options:**

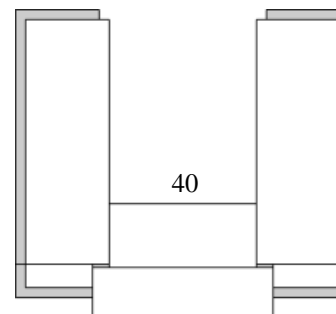
- contrast wood pinstripes
- aluminum transaction surface
- aluminum pinstripes & grommets
- billet pulls

	d	w	h
Desk			
PDBRT003-349641-0-GB2	34	96	41
Right Return			
PR0R0M31-288837-CR-LWE	28	88	37
Left Return			

elevation

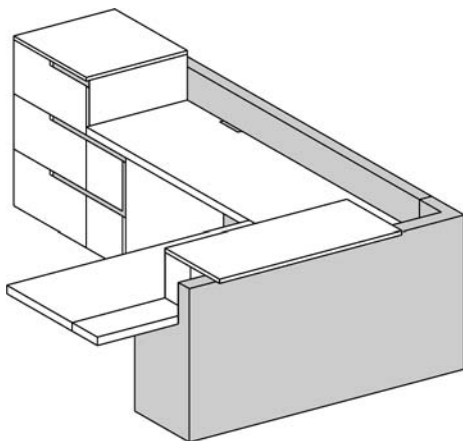


plan view



	8298	339
	7755	405
	7755	405
<b>total</b>	<b>23808</b>	<b>1149</b>

# Asymmetric Reception Desk



**Includes:**

- grommets (2)
- wood transaction surface

**Options:**

- gallery area sorter organizer
- bud vase (1)
- aluminum transaction surface
- contrast wood pinstripe
- aluminum pinstripes & grommet
- billet pulls

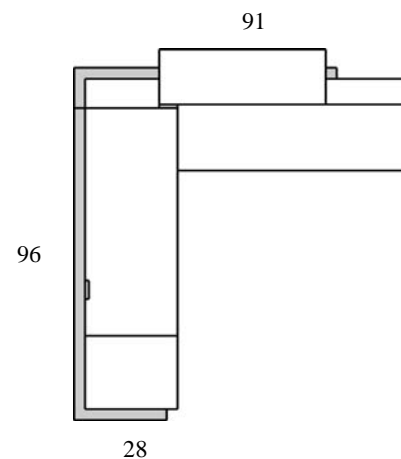
Specify **Right** or **Left** (left shown)

	d	w	h
Desk PDART003-349141- <b>R</b> -GB1	34	91	41
Return PR0R3M31-288840- <b>bL</b> -GB1	28	88	40

seated elevation



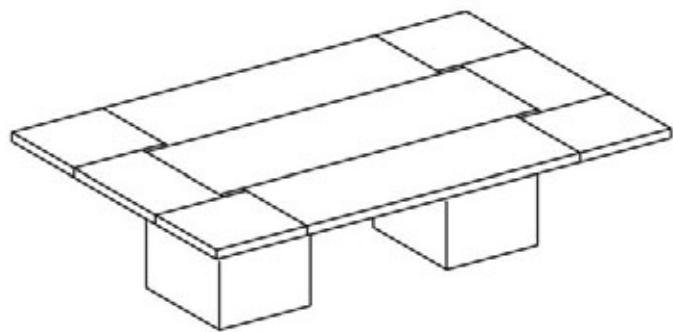
plan view



	8074	365
	10232	498
<b>total</b>	<b>18306</b>	<b>863</b>

# Conference Table

with cube bases



### Includes:

- (4 ) grommets

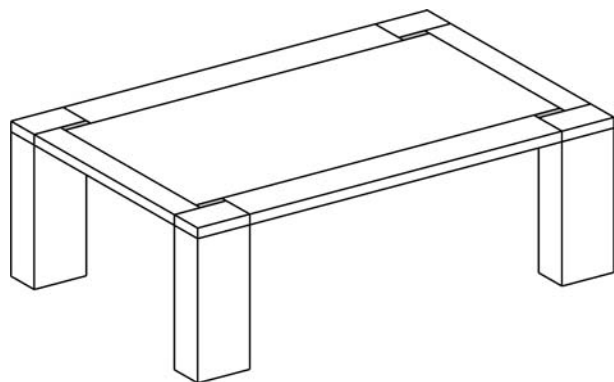
### Options:

- contrast grommets
- contrast wood pinstripes
- leather center infield
- aluminum pinstripes & grommets
- hinge door access in base(s)

	d	w	h	elevation	plan view	Price (US\$)	Weight (lbs.)
PTS2C009-50100-0-GB4	50	100	29			11333	542
PTS2C009-60120-0-GB4	60	120	29			12948	628

# Conference Table

with leg base



**Includes:**

- (4 ) grommets

Note: apron is recessed 5"

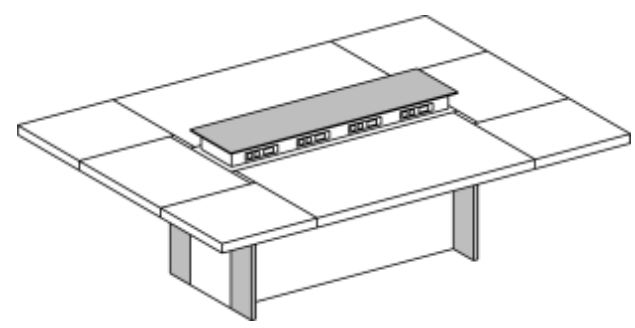
**Options:**

- contrast grommets
- contrasting center infield
- contrast wood pinstripes
- aluminum pinstripes & grommets

	d	w	h	elevation	plan view	Price (US\$)	Weight (lbs.)
PTS4L009-4080-0-GB4	40	80	29			10647	210
PTS4L009-50110-0-GB4	50	110	29			12158	298

# Conference Table

with motorized power/data lift



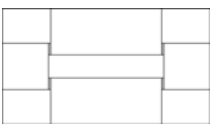

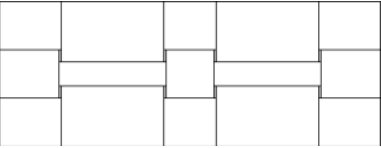

**Includes:**

- 90”w - one motorized lift module
- 160”w - two motorized lift modules
- each lift module contains  
(8) power outlets and  
(8) custom configurable  
data connect bays
- access panel in base

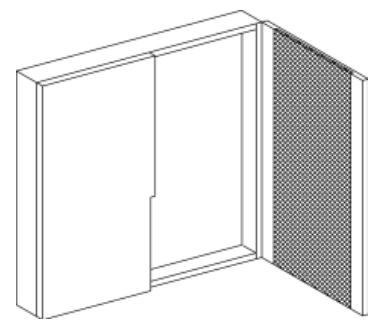
**Options:**

- contrast wood pilasters
- contrast wood lift top
- contrast wood pinstripes
- aluminum lift top
- aluminum pinstripes, grommets  
& pilasters
- remote

Specify **Right** or **Left** (Right shown)

	d	w	h	elevation	plan view	Price (US\$)	Weight (lbs.)
PTS1F009-5090-0-ML1	50	90	29			16253	365
PTS1F015-60160-0-ML2	60	160	29			31408	814

# Hinged Door Presentation Board



**Includes:**

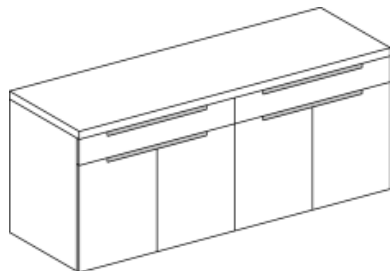
- whiteboard
- fabric tackboard (select Guilford FR701 or supply COM)

**Options:**

- pull-down projection screen
- \* units for housing plasma displays (no whiteboard inc.) consult factory for further information

	d	w	h	elevation	plan view		
PVBH-50506	6	50	50			3071	156
PVBH-504010	10	50	40			2801	125
PVBH-604010	10	60	40			3260	150

# Conference Credenza



**Includes:**

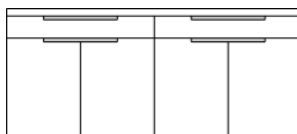
- 2 wide box drawers
- 1 adj. shelf behind ea. pair of doors

**Options:**

- billet pulls

	d	w	h
PC0V0001-206035-GGGG	20	60	35
PC0V0001-208035-GGGG	20	80	35

elevation

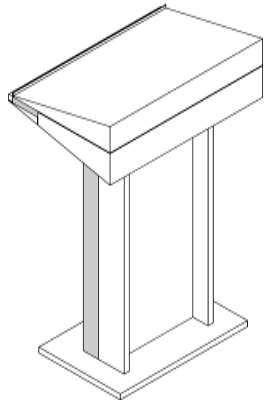


plan view



6617	238
7022	274

# Podium



**Includes:**

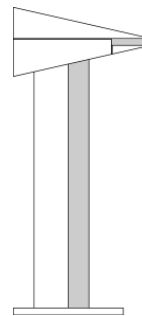
- manually adj. height

**Options:**

- motorized height adj.
- contrast wood trim pkg.
- aluminum trim pkg. - includes aluminum pinstripe trim, pilasters, and base plate

	d	w	h
PVP-203045	20	30	44½

elevation

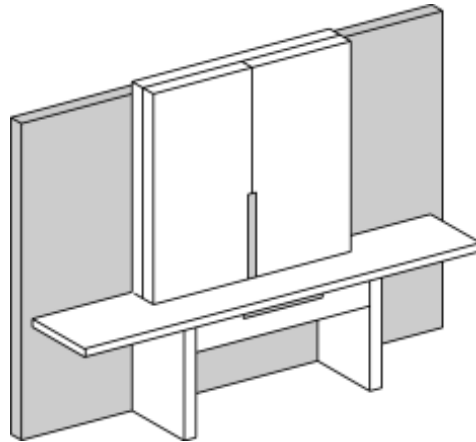


plan view



3123    87

## Sliding Door Presentation Configuration



**Includes:**

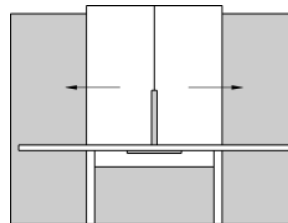
- 48"x48" whiteboard behind sliding doors
- single 46" w drawer

**Options:**

- pull-down projection screen

	d	w	h
PCGP0E71-2310680-W	23	106	80

elevation



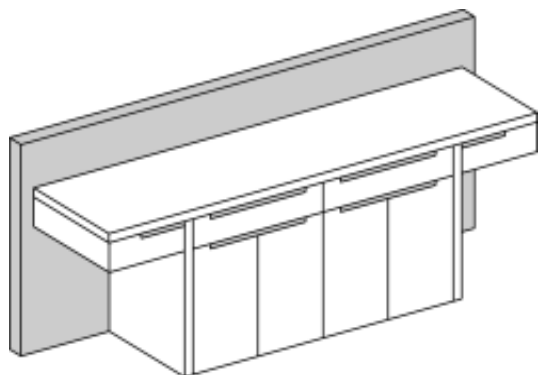
plan view



9439

507

# Conference Credenza

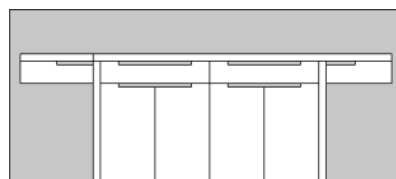


- Includes:**
- 2 wide box drawers
  - 1 adj. shelf behind ea. pair of doors

- Options:**
- finished back

	d	w	h
PCGV0E41-236047-JGGGGJ	23	60	47
PCGV0E41-238047-JGGGGJ	23	80	47

elevation



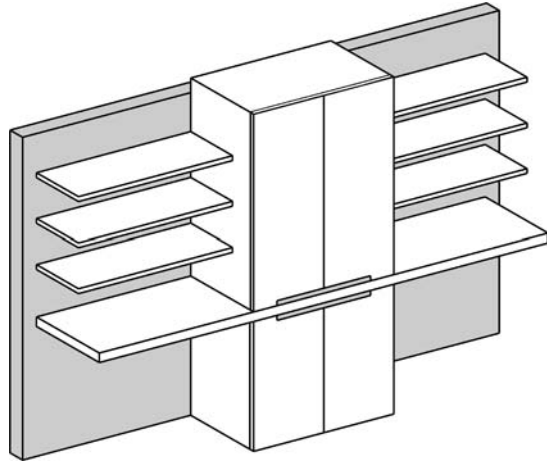
plan view



9733	354
10241	397

## Symmetric Storage Unit

with 67" h extended Core Element, storage cabinet and shelves



### Includes:

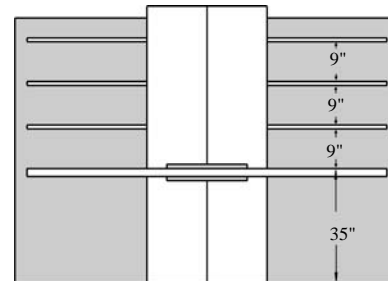
- 6 fixed exposed shelves
- Upper unit: (2) adj. shelves behind hinged doors
- lower unit: (1) adj. shelf behind hinged doors

### Options:

- niche: 2 @ 10"x15"
- billet pulls
- 77" h Core Element
- 80" h storage

	d	w	h
PCXH4E61-189670-HH	18	96	70

elevation

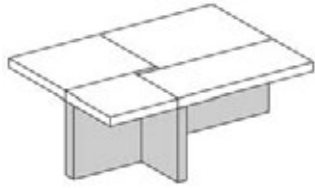


plan view



9117    480

# Occasional Table

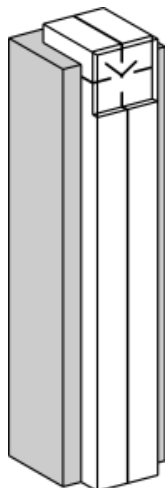


**Options:**

- contrast pinstripe
- aluminum pinstripes & centerblock

	d	w	h	elevation	plan view	Price (US\$)	Weight (lbs.)
PTS1W004-2040	20	40	29			3592	126
PTS1W004-3030	30	30	29			3601	132

# Clock



**Includes:**

- battery operated
- quartz clock movement

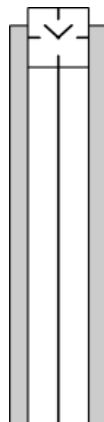
**Options:**

- aluminum pinstripes

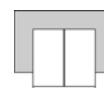
FP-131670

d	w	h
13	16	70

elevation



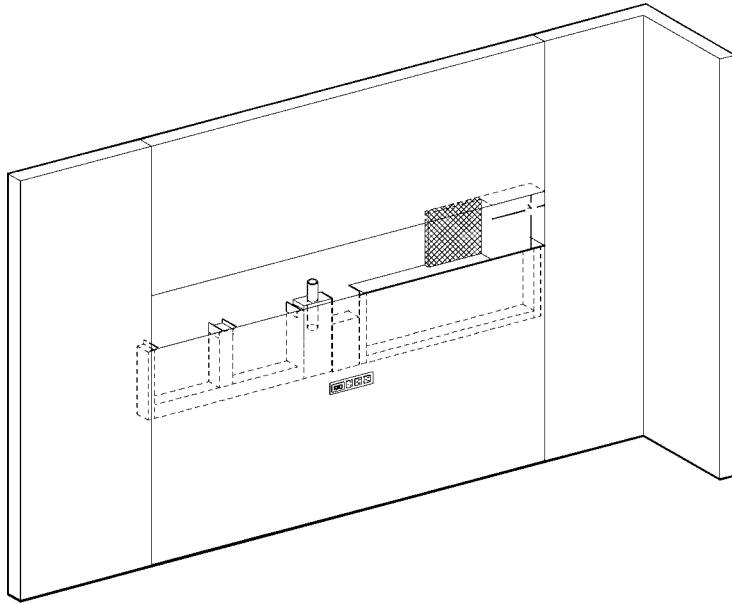
plan view



3969

---

## Niches



Niches are areas recessed into Core Elements. The recess depth is three inches. Height can be specified as ten or twenty inches. Niche locations are dependant on the specific configuration of a unit. *In general*, 20 inch high niches start at 30 inches (1" above the worksurface) and extend to 50 inches high, and 10 inch high niches start at 40 inches (11" above the worksurface) and extend to 50 inches high. Refer to the Options notes of individual configurations for specifics of applicable sizes. Niche widths vary in ten inch increments. Niche accessories are sized modularly to coordinate with this.

The standard finish for the backpanel of a Niche is Eurotex "Lanai" in Dark Grey, Light Grey, or Ivory. This is *not* a tackable surface, but lightweight items may be affixed using velcro tabs. Wood veneer to match the species of the Core Element may also be specified.

## Electrical Options

pōchē configurations include as standard removable grommet and access blocks to permit access for electrical, data, and communication wires. Some configurations include integral horizontal wire troughs (ie: desks & run-off worksurfaces) and Kneespace Access Panels to permit access to wall outlets when a configuration is installed against a wall. A power/data management panel may be specified for use in Core Elements. The recommended location for this is below work surfaces so that excess cord lengths are more easily concealed and so that it does not interfere with the location of Niches.