

PRIMA VISTA

designed by Tom McHugh

Prima Vista is a dynamic contemporary statement that features a sweeping bowfront flanked by high sidewalls. A thick prow edged transaction surface "floats" at 40", $\frac{3}{8}$ " above this bowfront on bullnosed dentils. This top may be specified in matching or contrasting wood, stone, or leather wrapped. The bowfront is standard in flat cut cherry to match the sidewalls, but may be optioned as birdseye maple, sycamore or laurel burl with black accents. A $\frac{3}{8}$ " accent bead on the sidewalls can be finished in natural maple, black, or to match the sidewalls. Sidewalls are 46 $\frac{5}{8}$ " high and capped in shaped, solid wood. Black locks are standard on all drawers and are keyed alike by set-up.

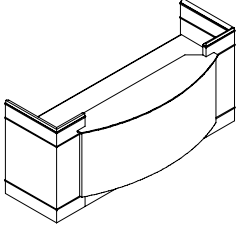
Due to the unique detailing of this product, desk/return or desk/bridge/credenza configurations feature unbroken side panels. See the following configuration and individual component pricing pages for further information.

This price list allows a certain amount of flexibility with the drawer storage components. The box/box/file pedestals (6-6-12) indicated with the letters A or C and the file/file (12-12) indicated with the letters B or D are interchangeable. Within the model number, the letters after the dimensional numbers communicate the drawer configuration. These letters indicate the sequence and type of drawer storage on the unit. The A, B, C and D pedestals are interchangeable at the same price. All Configurations illustrated include one C and one D pedestal.

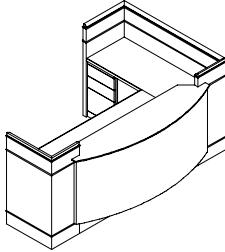
The overall dimensions indicated include any protrusions, overhang or thickness of detail(s). When multiple components are configured together to form large assemblies, these detail dimensions will include the elimination of conflicting or duplicated detail. Top dimensions indicated are for the net (usable) worksurface area.

Additional finish options may easily be specified on Prima Vista bowfronts. Please contact your CCN Representative for more information on pricing and availability.

CONFIGURATION EXAMPLES

| | Description | Notes | Price (US\$) | Weight (lbs.) |
|---|--|-----------------------------------|---------------------|----------------------|
| Gallery Desk  | VD0RT-3586-CD-GL2 overall dimension 35"D x 86"W x 46 ⁵ / ₈ "H Desk top: 23" x 82" | legal width b/b/f & f/f pedestals | 15071 | 684 |
| | VD0RT-35100-CD-GL2 overall dimension 35"D x 100"W x 46 ⁵ / ₈ "H Desk top: 23" x 96" | legal width b/b/f & f/f pedestals | 15831 | 720 |
| | VD0RT-35114-CD-GL2 overall dimension 35"D x 114"W x 46 ⁵ / ₈ "H Desk top: 23" x 110" | legal width b/b/f & f/f pedestals | 16554 | 757 |

Flat cut cherry w/ matching or contrast finish is standard on bowfront (see page 6 for optional finishes)

| | | | | |
|--|---|------------------------------------|-------|-----|
| Gallery Desk w/ Return  | VGAL-8486-AB-GL3 overall dimension 84"D x 86"W x 46 ⁵ / ₈ "H Desk top: 23" x 82" Return top: 21 ³ / ₄ " x 46" | letter width b/b/f & f/f pedestals | 18948 | 825 |
| | VGAL-84100-CD-GL3 overall dimension 84"D x 100"W x 46 ⁵ / ₈ "H Desk top: 23" x 96" Return top: 21 ³ / ₄ " x 46" | legal width b/b/f & f/f pedestals | 19709 | 861 |
| | VGAL-84114-CD-GL3 overall dimension 84"D x 114"W x 46 ⁵ / ₈ "H Desk top: 23" x 110" Return top: 21 ³ / ₄ " x 46" | legal width b/b/f & f/f pedestals | 20433 | 898 |

Specify **Left** or **Right** (seated)

(**L**eft indicated)

Flat cut cherry w/ matching or contrast finish is standard on bowfront (see page 6 for optional finishes)

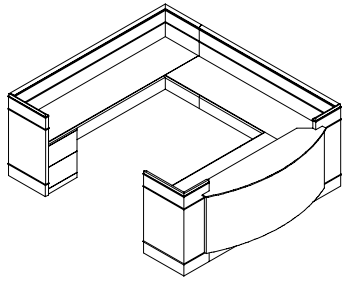
CONFIGURATION EXAMPLES

Description

Notes

Price (US\$) **Weight (lbs.)**

"U" Configuration Side Entry



VGCL-11086-DC-GL4
 overall dimension 110"D x 86"W x 46⁵/₈"H
 Desk top: 23" x 82"
 Bridge top: 21³/₄" x 50"
 Credenza top: 23" x 82"

legal width b/b/f & f/f pedestals

24028 1057

VGCL-110100-DC-GL4
 overall dimension 110"D x 100"W x 46⁵/₈"H
 Desk top: 23" x 96"
 Bridge top: 21³/₄" x 50"
 Credenza top: 23" x 96"

legal width b/b/f & f/f pedestals

25239 1124

VGCL-110114-DC-GL4
 overall dimension 110"D x 114"W x 46⁵/₈"H
 Desk top: 23" x 110"
 Bridge top: 21³/₄" x 50"
 Credenza top: 23" x 110"

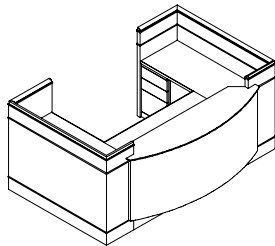
legal width b/b/f & f/f pedestals

26391 1193

Specify **Left** or **Right** (seated) (**L**eft indicated)

Flat cut cherry w/ matching or contrast finish is standard on bowfront (see page 6 for optional finishes)

"U" Configuration Rear Entry



VGM-7286-CD-GL4
 overall dimension 72"D x 86"W x 46⁵/₈"H
 Return top: 21³/₄" x 35"
 Desk top: 23" x 82"
 Return top: 21³/₄" x 35"

legal width b/b/f & f/f pedestals*

22167 918

VGM-72100-CD-GL4
 overall dimension 72"D x 100"W x 46⁵/₈"H
 Return top: 21³/₄" x 35"
 Desk top: 23" x 96"
 Return top: 21³/₄" x 35"

legal width b/b/f & f/f pedestals

22928 954

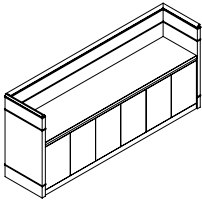
VGM-72114-CD-GL4
 overall dimension 72"D x 114"W x 46⁵/₈"H
 Return top: 21³/₄" x 35"
 Desk top: 23" x 110"
 Return top: 21³/₄" x 35"

legal width b/b/f & f/f pedestals

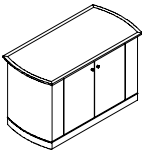
23649 991

Flat cut cherry w/ matching or contrast finish is standard on bowfront (see page 6 for optional finishes)

*note: restricted swivel space

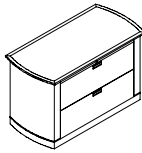
| Description | Model Number | Overall Dimensions | | | Notes | Price (US\$) | Weight (lbs.) |
|---|-------------------|--------------------|-------|------------------|-----------------------|--------------|---------------|
| | | Depth | Width | Height | | | |
| Credenza- Full Hinged Door Storage  | VC0R-2586-HHHH | 25 | 86 | 46 $\frac{5}{8}$ | 2 bay, 4 hinged doors | 8768 | 386 |
| | VC0R-25100-HHHHHH | 25 | 100 | 46 $\frac{5}{8}$ | 3 bay, 6 hinged doors | 10394 | 437 |
| | VC0R-25114-HHHHHH | 25 | 114 | 46 $\frac{5}{8}$ | 3 bay, 6 hinged doors | 10822 | 469 |

1 adjustable shelf behind each pair of hinged doors

| | | | | | | | |
|---|-----------------|----|----|------------------|---|------|-----|
| Cabinet- Hinged Door  | VSHW11-2542 | 25 | 42 | 29 | 1 adjustable shelf, wood top* | 4571 | 166 |
| | VSHW12-254240 | 25 | 42 | 39 $\frac{5}{8}$ | 2 adjustable shelves, wood top* | 5309 | 223 |
| | VSHW12-254246 | 25 | 42 | 46 | 2 adjustable shelves, wood top* | 5561 | 241 |
| | VSHW110G-2542 | | | | 1 adjustable shelf, black granite top | 7079 | 208 |
| | VSHW120G-254240 | 25 | 42 | 39 $\frac{5}{8}$ | 2 adjustable shelves, black granite top | 7817 | 264 |
| | VSHW120G-254246 | 25 | 42 | 46 | 2 adjustable shelves, black granite top | 8038 | 283 |

bow ends

*matching body specie and color or black catalyzed finish (CCHS-16 Onyx)

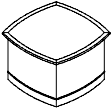
| | | | | | | | |
|--|---------------|----|----|----|---|------|-----|
| Cabinet- Lateral File  | VFSW102-2542 | 25 | 42 | 29 | 2- 36"w lateral file drawers, wood top* | 4435 | 241 |
| | VFSW102G-2542 | 25 | 42 | 29 | 2- 36"w lateral file drawers, black granite top | 6943 | 282 |

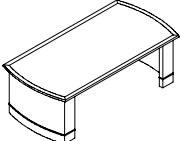
bow ends

*matching body specie and color or black catalyzed finish (CCHS-16 Onyx)

PRIMA VISTA

Above pricing reflects standard cherry and maple finishes. Consult sales representative for any variation of size, configuration, finish or wood species.

| Description | Model Number | Overall Dimensions | | | Notes | Price (US\$) | Weight (lbs.) |
|--|--------------|--------------------|-------|--------|-------------------|--------------|---------------|
| | | Depth | Width | Height | | | |
|  "Cube" Occasional Table | VTC-2121 | 21 | 21 | 20 | wood top* | 3029 | 75 |
| | VTC-2727 | 27 | 27 | 20 | wood top* | 3221 | 111 |
| | VTC-3838 | 38 | 38 | 16 | wood top* | 3581 | 181 |
| | VTC00G-2121 | 21 | 21 | 20 | black granite top | 4096 | 105 |
| | VTC00G-2727 | 27 | 27 | 20 | black granite top | 4984 | 161 |
| | VTC00G-3838 | 38 | 38 | 16 | black granite top | 7072 | 281 |
| *matching body specie and color or black catalyzed finish (CCHS-16 Onyx) | | | | | | | |

| | | | | | | | |
|---|-------------|----|----|----|-------------------|------|-----|
|  Occasional Table w/ Panel Ends | VTW2G-2542 | 25 | 42 | 16 | wood top* | 4051 | 84 |
| | VTW2G-2548 | 25 | 48 | 16 | wood top* | 4191 | 90 |
| | VTW2GG-2542 | 25 | 42 | 16 | black granite top | 6589 | 157 |
| | VTW2GG-2548 | 25 | 48 | 16 | black granite top | 7091 | 173 |
| *matching body specie and color or black catalyzed finish (CCHS-16 Onyx) | | | | | | | |

Bowfront Surface Options:

Transaction Shelf Options:

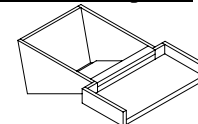
| | |
|--|------|
| Flat Cut Cherry w/ Matching or Contrast Finish | n/c |
| Reverse Box Pattern Birdseye Maple | 1900 |
| Diamond Pattern Figured Sycamore | 1500 |
| Laurel Burl Diamonds on Flat Cut Cherry Field | 1500 |
| Black Diamonds on Flat Cut Cherry Field | 800 |

| | |
|---|------|
| Matching Body Specie and Color or Black Catalyzed Finish (CCHS-16 Onyx) | n/c |
| Black Leather Wrapped | 700 |
| Black Granite | 3050 |

Organizer Options:

Computer Well Option:

| | |
|---|-----|
| Open to Extend Worksurface | n/c |
| Vertical Divisions | 350 |
| Combination Vertical and Horizontal Divisions | 450 |



Fixed Keyboard Well

| | | |
|-----|----------------|------|
| ACW | 18"W 17"L 10"D | 1500 |
|-----|----------------|------|



CROFTON

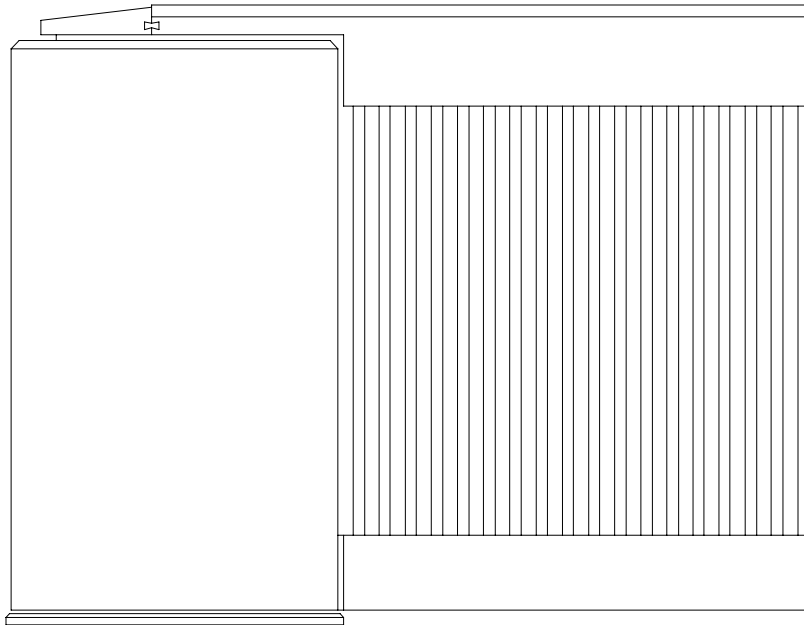
designed by John L. Bodag

CROFTON, created by CCN International in collaboration with John L. Bodag, Director of Design of Ford & Earl Design Associates is based on the design principles of the Arts & Crafts Movement, a philosophy that held that aesthetics and functionality should co-exist rather than be considered mutually exclusive.

Quartered, Figured White Oak and Quartered Cherry are employed for their clean, linear grain character which reinforces the strong horizontal/vertical interplay. The CROFTON Collection features cantilevered, beveled edge treatments and deep spindle details. Fine craftsmanship is expressed by the accented dovetail keys that punctuate the meticulous joinery.

Drawers and lower hinged doors are flush panels with an integrated, crescent-shaped pull. The pull is offered with a square or radius pattern front and is available in pewertone, bronzetone and blackpowder coat finish.

The design of CROFTON has been carefully developed with proportioning and details intended for maximum visual integrity while still responding to utility. Modifications are not encouraged. Any request for modification of the CROFTON product will necessitate a review by the product designer and will affect CCN's timely response to a special inquiry.



CONFIGURATION EXAMPLES

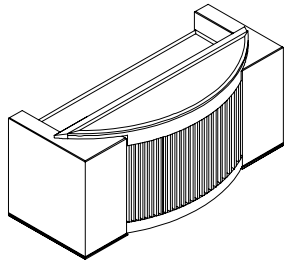
Description

Notes

**Price
(US\$)**

**Weight
(lbs.)**

Gallery Desk



FD0RT-3988-CD-GW2
overall dimension 39¼"D x 88"W x 41¾"H
Desk top: 30" x 76"

legal width b/b/f & f/f pedestals

32901

882

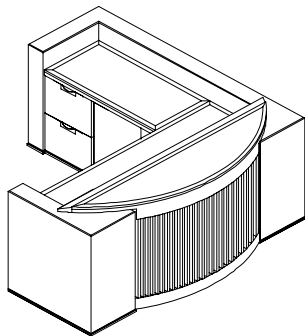
FD0RT-39106-CD-GW2
overall dimension 39¼"D x 106"W x 41¾"H
Desk top: 30" x 94"

legal width b/b/f & f/f pedestals

37453

992

Gallery Desk w/ Return



FGAL-8988-CD-GW3
overall dimension 89"D x 88"W x 41¾"H
Desk top: 30" x 76"
Return top: 22" x 44"

legal width b/b/f & f/f pedestals

40028

1114

FGAL-89106-CD-GW3
overall dimension 89"D x 106"W x 41¾"H
Desk top: 30" x 94"
Return top: 22" x 44"

legal width b/b/f & f/f pedestals

44581

1224

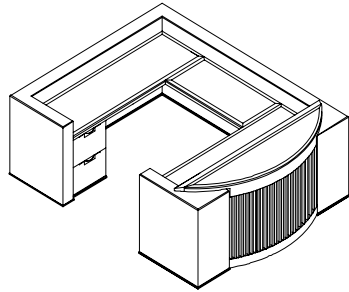
CONFIGURATION EXAMPLES

Description

Notes

Price (US\$) Weight (lbs.)

"U" Configuration Side Entry



FGCL-88106-DC-GW4
 overall dimension 88"D x 106"W x 41³/₈"H
 Desk top: 30" x 76"
 Bridge top: 22" x 44"
 Credenza top: 24" x 76"

legal width b/b/f & f/f pedestals

49044 1462

FGCL-113106-DC-GW4
 overall dimension 113"D x 106"W x 41³/₈"H
 Desk top: 30" x 94"
 Bridge top: 22" x 44"
 Credenza top: 24" x 94"

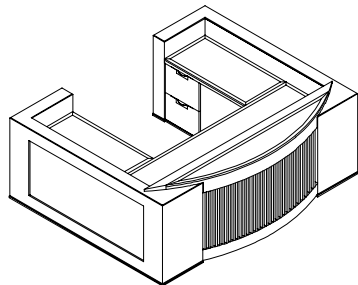
legal width b/b/f & f/f pedestals

54593 1630

Specify **Left** or **Right** (seated)

(**L**eft indicated)

"U" Configuration Rear Entry

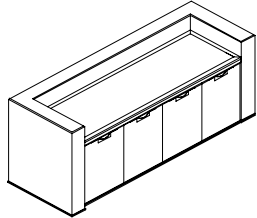


FGM-89106-CD-GW4
 overall dimension 89"D x 106"W x 41³/₈"H
 Return top: 22" x 44"
 Desk top: 30" x 94"
 Return top: 22" x 44"

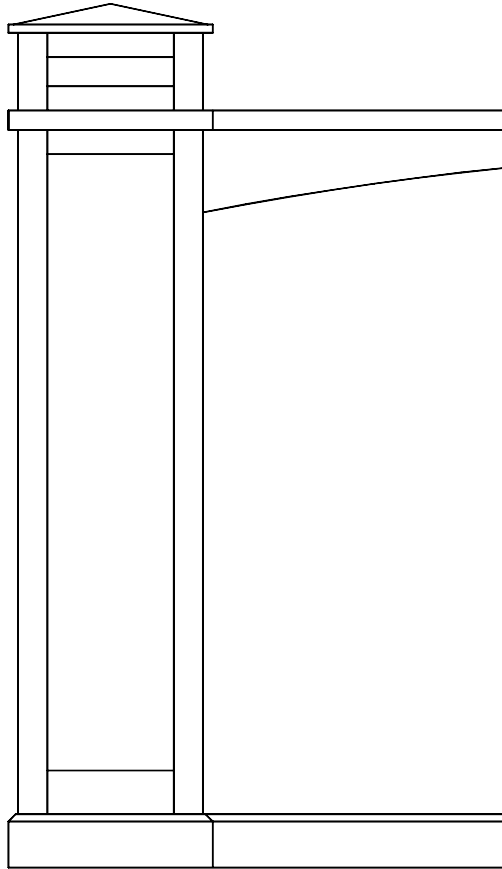
legal width b/b/f & f/f pedestals

51702 1456

| Description | Model Number | Overall Dimensions | | | Notes | Price (US\$) | Weight (lbs.) |
|---------------------------|-----------------|--------------------|-------|--------|-----------------------|--------------|---------------|
| | | Depth | Width | Height | | | |
| Credenza Full Hinged Door | FC0R-3088-HHHH | 30¼ | 88 | 43¾ | 2 bay, 4 hinged doors | 13961 | 544 |
| | FC0R-30106-HHHH | 30¼ | 106 | 43¾ | 2 bay, 4 hinged doors | 16357 | 622 |



Refer to separate CCN CROFTON pricelist for complete line of matching tables, casegoods, etc



TALISMAN

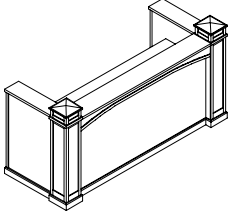
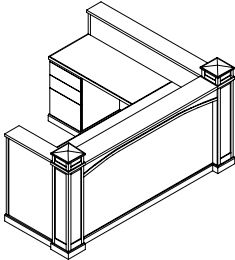
Talisman's form and detailing recalls and reinterprets the styling of mission and prairie style furniture. 11" x 11" x 44" high corner bollards with pyramidal caps anchor 8½" thick x 39"H panels supporting 1¼" thick worksurfaces. Connections between worksurfaces are made via simple butt joints. A 3" high wood base is employed throughout. The approach side of the desk features a 1" thick transaction surface and a modesty panel recessed 3½" back from an arched transaction surface support. Corner bollards have a 6¼" x 1⅜" inset area at the top which may be specified in a lacewood accent. Black locks are standard on all drawers and are keyed alike by set-up.

This price list allows a certain amount of flexibility with the drawer storage components. The box/box/file pedestals (6-6-12) indicated with the letters A or C and the file/file (12-12) indicated with the letters B or D are interchangeable. Within the model number, the letters after the dimensional numbers communicate the drawer configuration. These letters indicate the sequence and type of drawer storage on the unit. The A, B, C and D pedestals are interchangeable at the same price. All configurations illustrated include one C and one D pedestal.

The overall dimensions indicated include any protrusions, overhang or thickness of detail(s). When multiple components are configured together to form large assemblies, these detail dimensions will include the elimination of conflicting or duplicated detail. Top dimensions indicated are for the net (usable) worksurface area.

Due to the unique detailing of this product, desk/return or desk/bridge/credenza configurations feature unbroken side panels. See the following configuration and individual component pricing pages for further information. In addition, the 8½" thick panels provide the opportunity for extensive accommodation of electrical and data requirements. See separate accessory price list for a listing of accessory items intended for use in such applications.

CONFIGURATION EXAMPLES

| | Description | Notes | Price (US\$) | Weight (lbs.) |
|--|--|------------------------------------|---------------------|----------------------|
| Gallery Desk  | ID0RT-3584-AB-GL2 overall dimension 35"D x 84"W x 45"H Desk top: 28" x 62" | letter width b/b/f & f/f pedestals | 16207 | 600 |
| | ID0RT-3596-CD-GL2 overall dimension 35"D x 96"W x 45"H Desk top: 28" x 74" | legal width b/b/f & f/f pedestals | 16506 | 630 |
| | ID0RT-35108-CD-GL2 overall dimension 35"D x 108"W x 45"H Desk top: 28" x 86" | legal width b/b/f & f/f pedestals | 16803 | 660 |
| Gallery Desk w/ Return  | IGAL-8584-AB-GL3 overall dimension 85"D x 84"W x 45"H Desk top: 28" x 62" Return top: 20" x 50" | letter width b/b/f & f/f pedestals | 18972 | 749 |
| | IGAL-8596-CD-GL3 overall dimension 85"D x 96"W x 45"H Desk top: 28" x 74" Return top: 24" x 50" | legal width b/b/f & f/f pedestals | 19362 | 787 |
| | IGAL-85108-CD-GL3 overall dimension 85"D x 108"W x 45"H Desk top: 28" x 86" Return top: 24" x 50" | legal width b/b/f & f/f pedestals | 19662 | 817 |
| Specify Left or Right (seated) | (Left indicated) | | | |

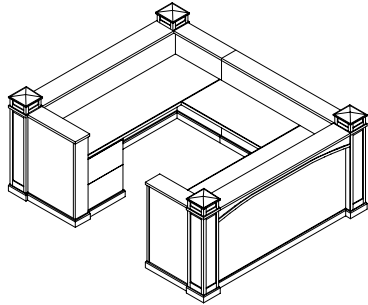
CONFIGURATION EXAMPLES

Description

Notes

Price (US\$) **Weight (lbs.)**

"U" Configuration Side Entry



IGCL-11684-BA-GL4
 overall dimension 116"D x 84"W x 45"H
 Desk top: 28" x 62"
 Bridge top: 20" x 50"
 Credenza top: 20" x 62"

letter width b/b/f & f/f pedestals

31687 1221

IGCL-11696-DC-GL4
 overall dimension 116"D x 96"W x 45"H
 Desk top: 28" x 74"
 Bridge top: 24" x 50"
 Credenza top: 20" x 74"

legal width b/b/f & f/f pedestals

32360 1280

IGCL-116108-DC-GL4
 overall dimension 116"D x 108"W x 45"H
 Desk top: 28" x 88"
 Bridge top: 24" x 50"
 Credenza top: 20" x 88"

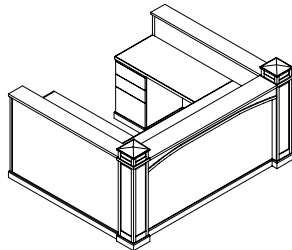
legal width b/b/f & f/f pedestals

32959 1332

Specify **L**eft or **R**ight (seated)

(**L**eft indicated)

"U" Configuration Rear Entry



IGM-8596-CD-GL4
 overall dimension 85"D x 96"W x 45"H
 Return top: 20" x 50"
 Desk top: 28" x 74"
 Return top: 20" x 50"

legal width b/b/f & f/f pedestals

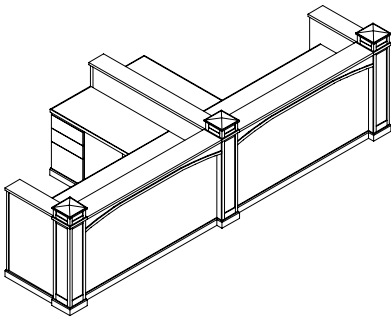
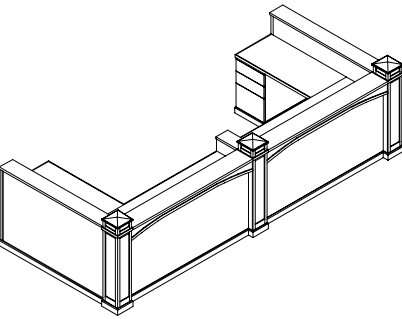
22035 928

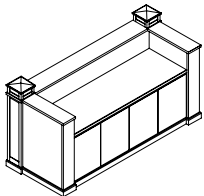
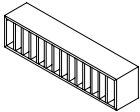
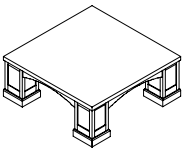
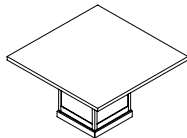
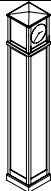
IGM-85108-CD-GL4
 overall dimension 85"D x 108"W x 45"H
 Return top: 24" x 50"
 Desk top: 28" x 86"
 Return top: 24" x 50"

legal width b/b/f & f/f pedestals

22518 974

CONFIGURATION EXAMPLES

| | Description | Notes | Price (US\$) | Weight (lbs.) |
|--|--|------------------------------------|---------------------|----------------------|
| <p>Tandem "T" Workstation</p>  | <p>IGF-85157-BAAB-GL6 overall dimension 85"D x 157"W x 45"H Desk top (2): 28" x 62" Return top (2): 20" x 50"</p> | letter width b/b/f & f/f pedestals | 32807 | 1257 |
| | <p>IGF-85181-DCCD-GL6 overall dimension 85"D x 181"W x 45"H Desk top (2): 28" x 74" Return top (2): 24" x 50"</p> | legal width b/b/f & f/f pedestals | 33560 | 1332 |
| | <p>IGF-85205-DCCD-GL6 overall dimension 85"D x 205"W x 45"H Desk top (2): 28" x 88" Return top (2): 24" x 50"</p> | legal width b/b/f & f/f pedestals | 34157 | 1392 |
| <p>Tandem "U" Workstation</p>  | <p>IGB-85157-ABBA-GL6 overall dimension 85"D x 157"W x 45"H Desk top (2): 28" x 62" Return top (2): 20" x 50"</p> | letter width b/b/f & f/f pedestals | 34161 | 1358 |
| | <p>IGB-85181-CDDC-GL6 overall dimension 85"D x 181"W x 45"H Desk top (2): 28" x 74" Return top (2): 24" x 50"</p> | legal width b/b/f & f/f pedestals | 34942 | 1434 |
| | <p>IGB-85205-CDDC-GL6 overall dimension 85"D x 205"W x 45"H Desk top (2): 28" x 88" Return top (2): 24" x 50"</p> | legal width b/b/f & f/f pedestals | 35539 | 1494 |

| Description | Model Number | Overall Dimensions | | | Notes | Price (US\$) | Weight (lbs.) |
|---|-----------------|--------------------|-------|--------|---|--------------|---------------|
| | | Depth | Width | Height | | | |
| Credenza- Full Hinged Door Storage  | IC0R-2984-HHHH | 29 | 84 | 45 | 2 bay, 4 hinged doors | 15442 | 601 |
| | IC0R-2996-HHHH | 29 | 96 | 45 | 2 bay, 4 hinged doors | 15737 | 623 |
| | IC0R-29108-HHHH | 29 | 108 | 45 | 2 bay, 4 hinged doors | 16034 | 645 |
| 1 adjustable shelf behind each pair of hinged doors | | | | | | | |
| Message Center | AMC | 30 | 7¼ | 47/8 | | 1457 | 20 |
|  | | | | | | | |
| Occasional Table w/ Legs | ITS4L-4242 | 42 | 42 | 16 | | 4072 | 83 |
| | ITS4L-4848 | 48 | 48 | 16 | | 4767 | 103 |
|  | | | | | | | |
| Occasional Table w/ Cube Base | ITS1C-30301 | 30 | 30 | 16 | 15" square base | 2062 | 96 |
| | ITS1C-3636 | 36 | 36 | 16 | 18" square base | 2203 | 110 |
| | ITS1C-4242 | 42 | 42 | 16 | 21" square base | 2365 | 126 |
| | ITS1C-4848 | 48 | 48 | 16 | 24" square base | 3074 | 153 |
|  | | | | | | | |
| Clock | IK0-1124 | 11 | 11 | 24 | Hinged door front | 2620 | 40 |
| | IK0-1176 | 11 | 11 | 76 | Hinged door front with interior shelves | 3351 | 108 |
|  | | | | | | | |



KUBIT

Kubit is a contemporary design which features a 3/4" thick x 12" deep tempered glass transaction surface raised 3" above the wood case on 1 1/4" diam. stainless steel posts. The case pieces are simple rectilinear elements with 4" high solid wood bases which are recessed 3/4". Worksurfaces are 1 1/4" thick with a square edge. Connections between worksurfaces are made via simple butt joints. Black locks are standard on all drawers and are keyed alike by set-up. The transaction surface is standard in tempered glass, but may be specified in granite at an upcharge.

This price list allows a certain amount of flexibility with the drawer storage components. The box/box/file pedestals (6-6-12) indicated with the letters A or C and the file/file (12-12) indicated with the letters B or D are interchangeable. Within the model number, the letters after the dimensional numbers communicate the drawer configuration. These letters indicate the sequence and type of drawer storage on the unit. The C and D pedestals are interchangeable at the same price. All Configurations illustrated include one C and one D pedestal.

The overall dimensions indicated include any protrusions, overhang or thickness of detail(s). When multiple components are configured together to form large assemblies, these detail dimensions will include the elimination of conflicting or duplicated detail. Top dimensions indicated are for the net (usable) worksurface area.

Because of the clean mitered joinery and flush veneer panels, Kubit lends itself to the use of exotic veneers. Market values on these materials vary, so it is necessary to contact your CCN Representative for more information on pricing and availability. Species offered include Figured Anigre, Figured Sycamore, Laurel Burl, and Birdseye Maple.

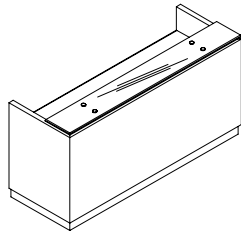
CONFIGURATION EXAMPLES

Description

Notes

Price (US\$) **Weight (lbs.)**

Gallery Desk



KD0RA-3072-CD-GL2
overall dimension 30"D x 72"W x 42"H
Desk top: 27¾" x 68"

legal width b/b/f & f/f pedestals

11971 466

KD0RA-3084-CD-GL2
overall dimension 30"D x 84"W x 42"H
Desk top: 27¾" x 80"

legal width b/b/f & f/f pedestals

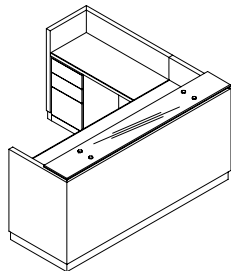
12584 505

KD0RA-3096-CD-GL2
overall dimension 30"D x 96"W x 42"H
Desk top: 27¾" x 92"

legal width b/b/f & f/f pedestals

13196 543

Gallery Desk w/ Return



KGAL-7872-CD-GL3
overall dimension 78"D x 72"W x 42"H
Desk top: 27¾" x 68"
Return top: 19" x 46"

legal width b/b/f & f/f pedestals

15029 579

KGAL-7884-CD-GL3
overall dimension 78"D x 84"W x 42"H
Desk top: 27¾" x 80"
Return top: 24" x 46"

legal width b/b/f & f/f pedestals

15779 632

KGAL-7896-CD-GL3
overall dimension 78"D x 96"W x 42"H
Desk top: 27¾" x 92"
Return top: 24" x 46"

legal width b/b/f & f/f pedestals

16392 670

Specify **L**eft or **R**ight (seated)

(**L**eft indicated)



Above pricing reflects standard cherry and maple finishes. Consult sales representative for any variation of size, configuration, finish or wood species.

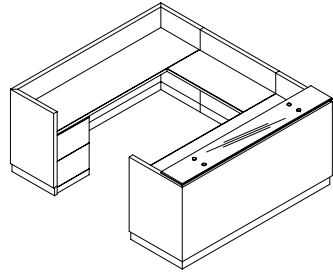
CONFIGURATION EXAMPLES

Description

Notes

Price (US\$) **Weight (lbs.)**

"U" Configuration Side Entry



KGCL-10272-DC-GL4
 overall dimension 102"D x 72"W x 42"H
 Desk top: 27¾" x 68"
 Bridge top: 19" x 46"
 Credenza top: 24" x 68"

legal width b/b/f & f/f pedestals

18893 761

KGCL-10284-DC-GL4
 overall dimension 102"D x 84"W x 42"H
 Desk top: 27¾" x 80"
 Bridge top: 24" x 46"
 Credenza top: 24" x 80"

legal width b/b/f & f/f pedestals

19902 833

KGCL-10296-DC-GL4
 overall dimension 102"D x 96"W x 42"H
 Desk top: 27¾" x 92"
 Bridge top: 24" x 46"
 Credenza top: 24" x 92"

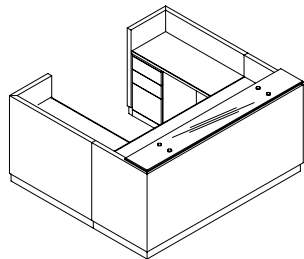
legal width b/b/f & f/f pedestals

20815 896

Specify **Left** or **Right** (seated)

(**L**eft indicated)

"U" Configuration Rear Entry



KGGM-8484-CD-GL4
 overall dimension 84"D x 84"W x 42"H
 Return top: 19" x 52"
 Desk top: 27¾" x 80"
 Return top: 19" x 52"

legal width b/b/f & f/f pedestals

19000 753

KGGM-8496-CD-GL4
 overall dimension 84"D x 96"W x 42"H
 Return top: 24" x 52"
 Desk top: 27¾" x 92"
 Return top: 24" x 52"

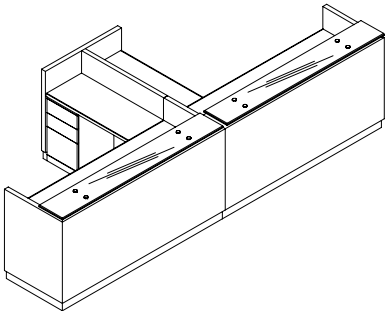
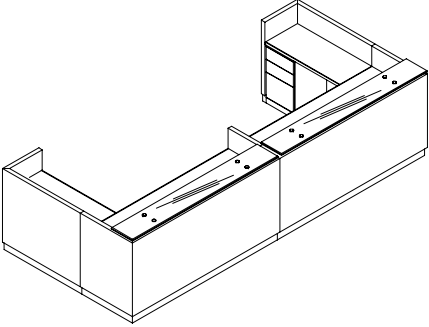
legal width b/b/f & f/f pedestals

19894 823



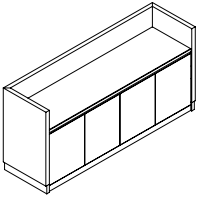

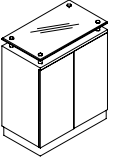
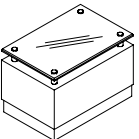
Above pricing reflects standard cherry and maple finishes. Consult sales representative for any variation of size, configuration, finish or wood species.


CONFIGURATION EXAMPLES

| | Description | Notes | Price (US\$) | Weight (lbs.) |
|--|---|-----------------------------------|---------------------|----------------------|
| <p>Tandem "T" Workstation</p>  | <p>KGF-78142-DCCD-GL6 overall dimension 78"D x 142"W x 42"H Desk top (2): 27¾" x 68" Return top (2): 19" x 46"</p> | legal width b/b/f & f/f pedestals | 28009 | 1067 |
| | <p>KGF-78166-DCCD-GL6 overall dimension 78"D x 166"W x 42"H Desk top (2): 27¾" x 80" Return top (2): 24" x 46"</p> | legal width b/b/f & f/f pedestals | 29474 | 1172 |
| | <p>KGF-78190-DCCD-GL6 overall dimension 78"D x 190"W x 42"H Desk top (2): 27¾" x 92" Return top (2): 24" x 46"</p> | legal width b/b/f & f/f pedestals | 30698 | 1249 |
| <p>Tandem "U" Workstation</p>  | <p>KGB-84142-CDDC-GL6 overall dimension 84"D x 142"W x 42"H Desk top (2): 27¾" x 68" Return top (2): 19" x 52"</p> | legal width b/b/f & f/f pedestals | 29385 | 1143 |
| | <p>KGB-84166-CDDC-GL6 overall dimension 84"D x 166"W x 42"H Desk top (2): 27¾" x 80" Return top (2): 24" x 52"</p> | legal width b/b/f & f/f pedestals | 30884 | 1252 |
| | <p>KGB-84190-CDDC-GL6 overall dimension 84"D x 190"W x 42"H Desk top (2): 27¾" x 92" Return top (2): 24" x 52"</p> | legal width b/b/f & f/f pedestals | 32108 | 1329 |



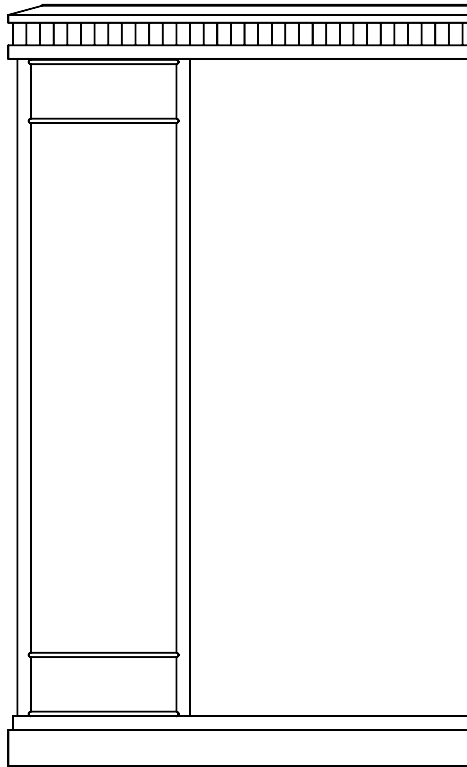
Above pricing reflects standard cherry and maple finishes. Consult sales representative for any variation of size, configuration, finish or wood species.

| Description | Model Number | Overall Dimensions | | | Notes | Price (US\$) | Weight (lbs.) |
|---|------------------|--------------------|-------|--------|--|--------------|---------------|
| | | Depth | Width | Height | | | |
| Credenza- Full Hinged Door Storage  | KCOR-2672-HHHH | 26 | 72 | 38 | 2 bay, 4 hinged doors | 7256 | 326 |
| | KCOR-2684-HHHH | 26 | 84 | 38 | 2 bay, 4 hinged doors | 7561 | 350 |
| | KCOR-2696-HHHHHH | 26 | 96 | 38 | 3 bay, 6 hinged doors | 9037 | 395 |
| 1 adjustable shelf behind each pair of hinged doors | | | | | | | |
| Lateral File Storage | KSF0103A-203642 | 20 | 36 | 42 | 1- 36"w utility drawer 2- 36"w lateral file drawers | 5302 | 275 |
|  | | | | | | | |
| Hinged Door Storage | KSH0120A-203642 | 20 | 36 | 42 | 2 hinged doors | 5281 | 200 |
|  | | | | | | | |
| 2 adjustable shelves | | | | | | | |
| Occasional Table Cube | KTC00A-3030 | 30 | 30 | 20 | | 3691 | 165 |
| | KTC00A-3636 | 36 | 36 | 16 | | 4406 | 210 |
| | KTC00A-4242 | 42 | 42 | 16 | | 5283 | 273 |
| | KTC00A-2048 | 20 | 48 | 16 | | 3851 | 176 |
|  | | | | | | | |

| Description | Model Number | Overall Dimensions | | | Notes | Price (US\$) | Weight (lbs.) |
|--|--------------|--------------------|-------|--------|---|--------------|---------------|
| | | Depth | Width | Height | | | |
| Stone Transaction Surface  | ATTG-1472 | 14 | 72 | 1½ | 72" black granite transaction top (upgrade) | 1531 | 39 |
| | ATTG-1484 | 14 | 84 | 1½ | 84" black granite transaction top (upgrade) | 1785 | 45 |
| | ATTG-1496 | 14 | 96 | 1½ | 96" black granite transaction top (upgrade) | 2041 | 52 |

CLASSIC

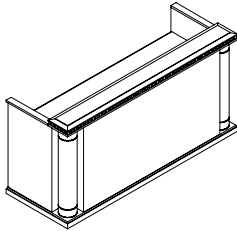
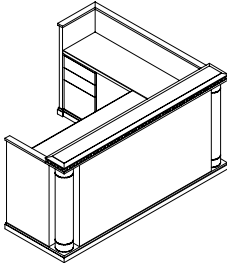
Classic is a reinterpretation of ancient architectural motifs. 10¼" step back corners allow for 8⁵/₈" diameter columns on the desk approach side which support a 3" thick transaction surface detailed with a dentil frieze. The columns and body rest on a 2¹¹/₁₆" high mitered plinth base. Each column is detailed with 4 black rings. Worksurfaces are 1¼" thick with a square edge. Connections between worksurfaces are made via simple butt joints. Black locks are standard on all drawers and are keyed alike by set-up.



This price list allows a certain amount of flexibility with the drawer storage components. The box/box/file pedestals (6-6-12) indicated with the letters A or C and the file/file (12-12) indicated with the letters B or D are interchangeable. Within the model number, the letters after the dimensional numbers communicate the drawer configuration. These letters indicate the sequence and type of drawer storage on the unit. The A, B, C and D pedestals are interchangeable at the same price. All configurations illustrated include one C and one D pedestal.

The overall dimensions indicated include any protrusions, overhang or thickness of detail(s). When multiple components are configured together to form large assemblies, these detail dimensions will include the elimination of conflicting or duplicated detail. Top dimensions indicated are for the net (usable) worksurface area.

CONFIGURATION EXAMPLES

| | Description | Notes | Price (US\$) | Weight (lbs.) |
|--|--|------------------------------------|---------------------|----------------------|
| Gallery Desk  | LD0RT-3072-AB-GL2 overall dimension 30"D x 72"W x 42"H Desk top: 27" x 67" | letter width b/b/f & f/f pedestals | 13593 | 450 |
| | LD0RT-3084-CD-GL2 overall dimension 30"D x 84"W x 42"H Desk top: 27" x 79" | legal width b/b/f & f/f pedestals | 14080 | 483 |
| | LD0RT-3096-CD-GL2 overall dimension 30"D x 96"W x 42"H Desk top: 27" x 91" | legal width b/b/f & f/f pedestals | 14564 | 515 |
| Gallery Desk w/ Return  | LGAL-7872-AB-GL3 overall dimension 78"D x 72"W x 42"H Desk top: 27" x 67" Return top: 19" x 39" | letter width b/b/f & f/f pedestals | 16839 | 559 |
| | LGAL-7884-CD-GL3 overall dimension 78"D x 84"W x 42"H Desk top: 27" x 79" Return top: 19" x 45" | legal width b/b/f & f/f pedestals | 17489 | 603 |
| | LGAL-8496-CD-GL3 overall dimension 84"D x 96"W x 42"H Desk top: 27" x 91" Return top: 23" x 51" | legal width b/b/f & f/f pedestals | 18264 | 659 |
| Specify L eft or R ight (seated) | (L eft indicated) | | | |

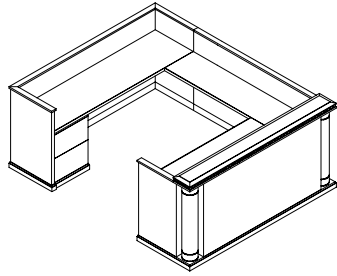
CONFIGURATION EXAMPLES

Description

Notes

**Price
(US\$)** **Weight
(lbs.)**

"U" Configuration Side Entry



LGCL-9472-DC-GL4
overall dimension 94"D x 72"W x 42"H
Desk top: 27" x 67"
Bridge top: 19" x 42"
Credenza top: 19" x 67"

legal width b/b/f & f/f pedestals

20936 726

LGCL-10084-DC-GL4
overall dimension 100"D x 84"W x 42"H
Desk top: 27" x 79"
Bridge top: 19" x 48"
Credenza top: 19" x 79"

legal width b/b/f & f/f pedestals

21921 794

LGCL-10096-DC-GL4
overall dimension 100"D x 96"W x 42"H
Desk top: 27" x 91"
Bridge top: 23" x 48"
Credenza top: 19" x 91"

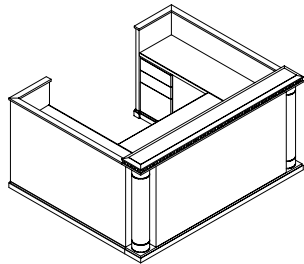
legal width b/b/f & f/f pedestals

22990 869

Specify **Left** or **Right** (seated)

(**L**eft indicated)

"U" Configuration Rear Entry



LGM-7884-CD-GL4
overall dimension 78"D x 84"W x 42"H
Return top: 19" x 45"
Desk top: 27" x 79"
Return top: 19" x 45"

legal width b/b/f & f/f pedestals

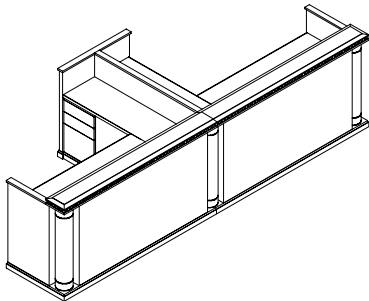
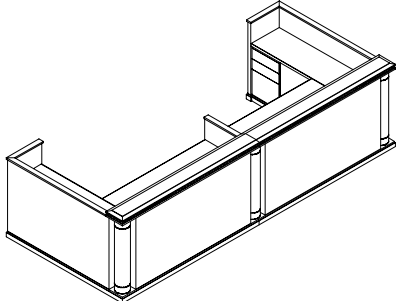
20906 723

LGM-8496-CD-GL4
overall dimension 84"D x 96"W x 42"H
Return top: 23" x 51"
Desk top: 27" x 91"
Return top: 23" x 51"

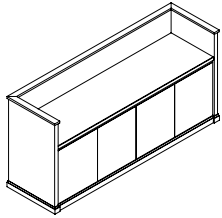
legal width b/b/f & f/f pedestals

21967 803

CONFIGURATION EXAMPLES

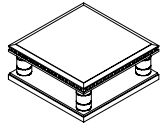
| | Description | Notes | Price (US\$) | Weight (lbs.) |
|--|---|------------------------------------|---------------------|----------------------|
| <p>Tandem "T" Workstation</p>  | <p>LGF-78141-BAAB-GL6 overall dimension 78"D x 141"W x 42"H Desk top (2): 27" x 69" Return top (2): 19" x 39"</p> | letter width b/b/f & f/f pedestals | 30599 | 1020 |
| | <p>LGF-78165-DCCD-GL6 overall dimension 78"D x 165"W x 42"H Desk top (2): 27" x 79" Return top (2): 19" x 45"</p> | legal width b/b/f & f/f pedestals | 31805 | 1101 |
| | <p>LGF-84189-DCCD-GL6 overall dimension 84"D x 189"W x 42"H Desk top (2): 27" x 91" Return top (2): 23" x 51"</p> | legal width b/b/f & f/f pedestals | 33220 | 1207 |
| <p>Tandem "U" Workstation</p>  | <p>LGB-78141-ABBA-GL6 overall dimension 78"D x 141"W x 42"H Desk top (2): 27" x 69" Return top (2): 19" x 39"</p> | letter width b/b/f & f/f pedestals | 31731 | 1071 |
| | <p>LGB-78165-CDDC-GL6 overall dimension 78"D x 165"W x 42"H Desk top (2): 27" x 79" Return top (2): 19" x 45"</p> | legal width b/b/f & f/f pedestals | 33036 | 1158 |
| | <p>LGB-84189-CDDC-GL6 overall dimension 84"D x 189"W x 42"H Desk top (2): 27" x 91" Return top (2): 23" x 51"</p> | legal width b/b/f & f/f pedestals | 34582 | 1271 |

| Description | Model Number | Overall Dimensions | | | Notes | Price (US\$) | Weight (lbs.) |
|-----------------------------------|------------------|--------------------|-------|--------|-----------------------|--------------|---------------|
| | | Depth | Width | Height | | | |
| Credenza Full Hinged Door Storage | LC0R-2272-HHHH | 22 | 72 | 40 | 2 bay, 4 hinged doors | 7572 | 314 |
| | LC0R-2284-HHHH | 22 | 84 | 40 | 2 bay, 4 hinged doors | 7906 | 337 |
| | LC0R-2296-HHHHHH | 22 | 96 | 40 | 3 bay, 6 hinged doors | 9416 | 381 |



1 adjustable shelf behind each pair of hinged doors

| | | | | | | | |
|--------------------------|------------|----|----|----|--|------|-----|
| Occasional Table w/ legs | LTS4L-3030 | 30 | 30 | 20 | | 3165 | 91 |
| | LTS4L-3636 | 36 | 36 | 16 | | 3349 | 119 |
| | LTS4L-4242 | 42 | 42 | 16 | | 3585 | 157 |
| | LTS4L-3048 | 30 | 48 | 16 | | 3456 | 131 |





SCULPTURE

Sculpture is a contemporary design that combines the intersection of solid geometric forms. The 8" thick front transaction element is the focal point of the piece and is available in stone or contrasting wood finishes. The body of the desk incorporates 2" thick 42"h wood gallery panels, 1¼" thick wood worksurfaces, and wood storage elements. Square edged worksurfaces connect via simple butt joints. Black locks are standard on all drawers and are keyed alike by set-up.

Due to the unique detailing of this product, desk/return or desk/bridge/credenza configurations feature unbroken side panels. See the following configuration and individual component pricing pages for further information.

This price list allows a certain amount of flexibility with the drawer storage components. The box/box/file pedestals (6-6-12) indicated with the letters A or C and the file/file (12-12) indicated with the letters B or D are interchangeable. Within the model number, the letters after the dimensional numbers communicate the drawer configuration. These letters indicate the sequence and type of drawer storage on the unit. The A, B, C and D pedestals are interchangeable at the same price. All configurations illustrated include one C and one D pedestal.

The overall dimensions indicated include any protrusions, overhang or thickness of detail(s). When multiple components are configured together to form large assemblies, these detail dimensions will include the elimination of conflicting or duplicated detail. Top dimensions indicated are for the net (usable) worksurface area.

Empress Green marble or Black Absolute granite are the standard stone offerings and Cherry or Maple are the standard wood offerings for the 38"h desk front which may be finished in matching or contrasting colors. Additional finishes and exotic veneer options are available upon request. Please submit sample for match and pricing.

CONFIGURATION EXAMPLES

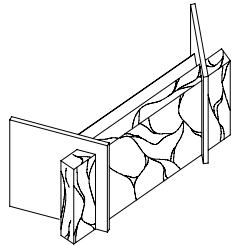
Description

Notes

Price (US\$)
Wood Stone

Weight (lbs.)

Gallery Desk



UD0R-4784-AB-GL2
overall dimension 46½"D x 84"W x 42"H
Desk top: 27" x 73"

letter width b/b/f & f/f pedestals

10058

20077

801

UD0R-4796-CD-GL2
overall dimension 46½"D x 96"W x 42"H
Desk top: 27" x 85"

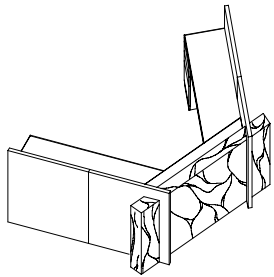
legal width b/b/f & f/f pedestals

10406

21497

860

"V" Configuration



UGM-92106-CD-GL4
overall dimension 92"D x 106"W x 42"H
Return top: 18½" x 61½"
Desk top: 27" x 73"
Return top: 18½" x 61½"

legal width b/b/f & f/f pedestals

15262

25282

1047

UGM-92118-CD-GL4
overall dimension 92"D x 118"W x 42"H
Return top: 23½" x 61½"
Desk top: 27" x 85"
Return top: 23½" x 61½"

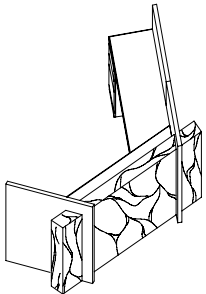
legal width b/b/f & f/f pedestals

15821

26914

1128

Half "V" Configuration



UGAL-9295-CD-GL3
overall dimension 92"D x 95"W x 42"H
Desk top: 27" x 73"
Return top: 18½" x 61½"

legal width b/b/f & f/f pedestals

12657

22677

924

UGAL-92107-CD-GL3
overall dimension 92"D x 107"W x 42"H
Desk top: 27" x 85"
Return top: 23½" x 61½"

legal width b/b/f & f/f pedestals

13114

24205

994

Specify **Left** or **Right** (seated)

(**L**eft indicated)

S C U L P T U R E

Above pricing reflects standard cherry and maple finishes. Consult sales representative for any variation of size, configuration, finish or wood species.

CONFIGURATION EXAMPLES

Description

Notes

Price (US\$)
Wood Stone

Weight (lbs.)

"U" Configuration Side Entry

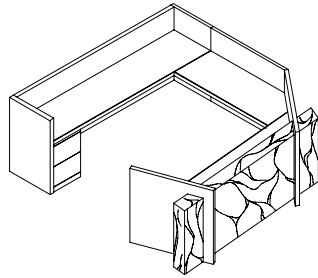
UGCL-11084-DC-GL4
 overall dimension 110"D x 84"W x 42"H
 Desk top: 27" x 73"
 Bridge top: 18½" x 51½"
 Credenza top: 24" x 80"

legal width b/b/f & f/f pedestals

17718

27737

1150



UGCL-11096-DC-GL4
 overall dimension 110"D x 96"W x 42"H
 Desk top: 27" x 85"
 Bridge top: 23½" x 51½"
 Credenza top: 24" x 92"

legal width b/b/f & f/f pedestals

18465

29556

1244

Specify **Left** or **Right** (seated)

(**L**eft indicated)

"U" Configuration Rear Entry

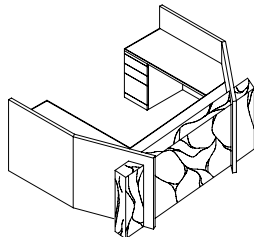
UGM-8484-CD-GL4
 overall dimension 84"D x 84"W x 42"H
 Return top: 18½" x 51½"
 Desk top: 27" x 73"
 Return top: 18½" x 51½"

legal width b/b/f & f/f pedestals

15432

25451

1007



UGM-8496-CD-GL4
 overall dimension 84"D x 96"W x 42"H
 Return top: 23½" x 51½"
 Desk top: 27" x 85"
 Return top: 23½" x 51½"

legal width b/b/f & f/f pedestals

15985

25078

1084

CONFIGURATION EXAMPLES

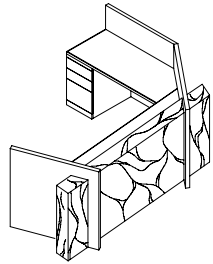
Description

Notes

Price (US\$)
Wood Stone

Weight (lbs.)

"L" Configuration Side Entry



UGAL-8484-CD-GL3
 overall dimension 84"D x 84"W x 42"H
 Desk top: 27" x 73"
 Return top: 18½" x 51½"

legal width b/b/f & f/f pedestals

12742 22761 904

UGAL-8496-CD-GL3
 overall dimension 84"D x 96"W x 42"H
 Desk top: 27" x 85"
 Return top: 23½" x 51½"

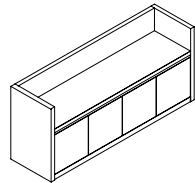
legal width b/b/f & f/f pedestals

13196 24286 972

Specify **L**eft or **R**ight (seated)

(**L**eft indicated)

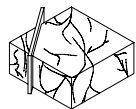
Credenza- Full Hinged Door Storage



| Model | Depth | Width | Height | Notes | Wood Price | Stone Price | Weight |
|------------------|-------|-------|--------|-----------------------|------------|-------------|--------|
| UC0R-2684-HHHH | 26 | 84 | 42 | 2 bay, 4 hinged doors | 7673 | | 366 |
| UC0R-2696-HHHHHH | 26 | 96 | 42 | 3 bay, 6 hinged doors | 9161 | | 412 |

1 adjustable shelf behind each pair of hinged doors

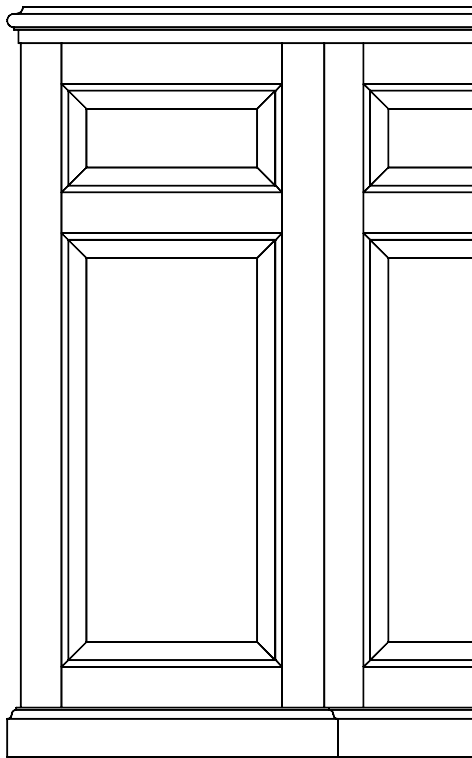
Occasional Table Cube



| Model | Depth | Width | Height | Notes | Wood Price | Stone Price | Weight |
|----------|-------|-------|--------|-------|------------|-------------|--------|
| UTC-3030 | 30 | 30 | 18 | | 2209 | 5254 | 285 |
| UTC-3636 | 36 | 36 | 18 | | 2444 | 6404 | 370 |
| UTC-2030 | 20 | 30 | 22 | | 2089 | 4886 | 255 |

SCULPTURE

Above pricing reflects standard cherry and maple finishes. Consult sales representative for any variation of size, configuration, finish or wood species.



FRANKLIN

Franklin is a traditionally styled grouping with solid wood raised panels employed for vertical surfaces. 2" wide solid rails encase each panel and all rests on a 3" high mitered plinth base. The approach side of the desk features a either a straight stepped front (option 1) or a concave bow front (option 2 - as shown). Work and transaction surfaces are 1¼" thick with an ogee profiled edge. All edges are mitered at the corners. Where return and bridge tops join desk and credenza worksurfaces, the edge is interrupted and continued with an inside mitered connection. Finish on pulls is bright brass. Black locks are standard on all drawers and are keyed alike by set-up.

Due to the unique detailing of this product, desk/return or desk/bridge/credenza configurations feature unbroken side panels. See the following configuration and individual component pricing pages for further information.

This price list allows a certain amount of flexibility with the drawer storage components. The box/box/file pedestals (6-6-12) indicated with the letters A or C and the file/file (12-12) indicated with the letters B or D are interchangeable. Within the model number, the letters after the dimensional numbers communicate the drawer configuration. These letters indicate the sequence and type of drawer storage on the unit. The A, B, C and D pedestals are interchangeable at the same price. All configurations illustrated include one C and one D pedestal.

The overall dimensions indicated include any protrusions, overhang or thickness of detail(s). When multiple components are configured together to form large assemblies, these detail dimensions will include the elimination of conflicting or duplicated detail. Top dimensions indicated are for the net (usable) worksurface area.

CONFIGURATION EXAMPLES

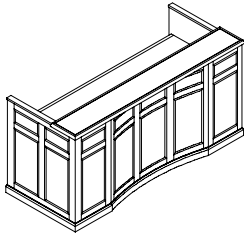
Description

Notes

Price (US\$)
opt 1 opt 2

Weight (lbs.)

Gallery Desk



HD0RT-3572-AB-GL2
overall dimension 35"D x 72"W x 42"H
Desk top: 27" x 66½"

letter width b/b/f & f/f pedestals

14042 17444

426

HD0RT-3584-CD-GL2
overall dimension 35"D x 84"W x 42"H
Desk top: 27" x 78½"

legal width b/b/f & f/f pedestals

14762 18731

455

HD0RT-3596-CD-GL2
overall dimension 35"D x 96"W x 42"H
Desk top: 27" x 90½"

legal width b/b/f & f/f pedestals

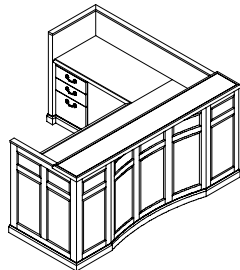
15480 20016

485

option 1: straight stepped front

option 2: as shown, concave bow front

Gallery Desk w/ Return



HGAL-8472-AB-GL3
overall dimension 84"D x 72"W x 42"H
Desk top: 27" x 66½"
Return top: 21¾" x 47"

letter width b/b/f & f/f pedestals

18449 21852

529

HGAL-8484-CD-GL3
overall dimension 84"D x 84"W x 42"H
Desk top: 27" x 78½"
Return top: 21¾" x 47"

legal width b/b/f & f/f pedestals

19169 23139

558

HGAL-8496-CD-GL3
overall dimension 84"D x 96"W x 42"H
Desk top: 27" x 90½"
Return top: 21¾" x 47"

legal width b/b/f & f/f pedestals

19887 24423

588

option 1: straight stepped front

option 2: as shown, concave bow front

Specify Left or Right (seated)

(Left indicated)

F R A N K L I N

Above pricing reflects standard cherry and maple finishes. Consult sales representative for any variation of size, configuration, finish or wood species.

CONFIGURATION EXAMPLES

Description

Notes

Price (US\$)
opt 1 opt 2

Weight
(lbs.)

"U" Configuration Side Entry

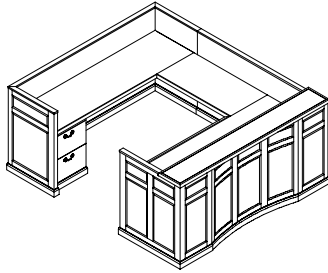
HGCL-10872-BA-GL4
overall dimension 108"D x 72"W x 42"H
Desk top: 27" x 66½"
Bridge top: 21¾" x 47"
Credenza top: 21¾" x 66½"

letter width b/b/f & f/f pedestals

24675

28077

669



HGCL-10884-DC-GL4
overall dimension 108"D x 84"W x 42"H
Desk top: 27" x 78½"
Bridge top: 21¾" x 47"
Credenza top: 21¾" x 78½"

legal width b/b/f & f/f pedestals

25973

29942

717

HGCL-10896-DC-GL4
overall dimension 108"D x 96"W x 42"H
Desk top: 27" x 90½"
Bridge top: 21¾" x 47"
Credenza top: 21¾" x 90½"

legal width b/b/f & f/f pedestals

27275

31811

766

option 1: straight stepped front
option 2: as shown, concave bow front

Specify **Left** or **Right** (seated)

(Left indicated)

(note: no raised panel detail on back of credenza)

"U" Configuration Rear Entry

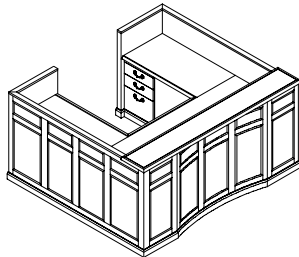
HGM-8484-CD-GL4
overall dimension 84"D x 84"W x 42"H
Return top: 21¾" x 47"
Desk top: 27" x 78½"
Return top: 21¾" x 47"

legal width b/b/f & f/f pedestals

23578

27547

661



HGM-8496-CD-GL4
overall dimension 84"D x 96"W x 42"H
Return top: 21¾" x 47"
Desk top: 27" x 90½"
Return top: 21¾" x 47"

legal width b/b/f & f/f pedestals

24296

28832

691

option 1: straight stepped front
option 2: as shown, concave bow front

CONFIGURATION EXAMPLES

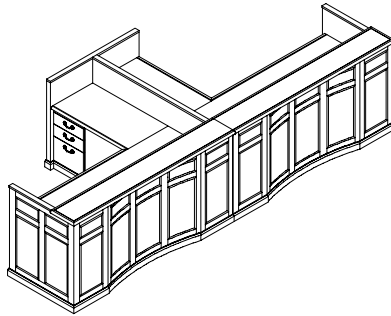
Description

Notes

Price (US\$)
opt 1 opt 2

Weight (lbs.)

Tandem "T" Workstation



HGF-84141-BAAB-GL6
overall dimension 84"D x 140¾"W x 42"H
Desk top (2): 27" x 66½"
Return top (2): 21¾" x 47"

letter width b/b/f & f/f pedestals

31393

38197

980

HGF-84165-DCCD-GL6
overall dimension 84"D x 164¾"W x 42"H
Desk top (2): 27" x 78½"
Return top (2): 21¾" x 47"

legal width b/b/f & f/f pedestals

32833

40772

1038

HGF-84189-DCCD-GL6
overall dimension 84"D x 188¾"W x 42"H
Desk top (2): 27" x 90½"
Return top (2): 21¾" x 47"

legal width b/b/f & f/f pedestals

34268

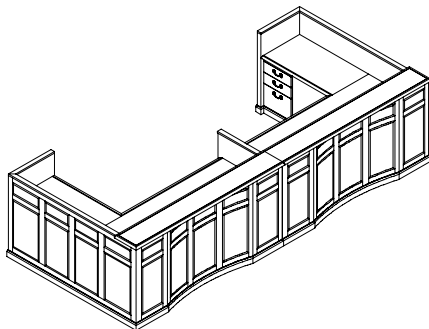
43340

1098

option 1: straight stepped front

option 2: as shown, concave bow front

Tandem "U" Workstation



HGB-84141-CDDC-GL6
overall dimension 84"D x 140¾"W x 42"H
Desk top (2): 27" x 66½"
Return top (2): 21¾" x 47"

legal width b/b/f & f/f pedestals

34641

41445

1014

HGB-84165-CDDC-GL6
overall dimension 84"D x 164¾"W x 42"H
Desk top (2): 27" x 78½"
Return top (2): 21¾" x 47"

legal width b/b/f & f/f pedestals

36082

44020

1072

HGB-84189-CDDC-GL6
overall dimension 84"D x 188¾"W x 42"H
Desk top (2): 27" x 90½"
Return top (2): 21¾" x 47"

legal width b/b/f & f/f pedestals

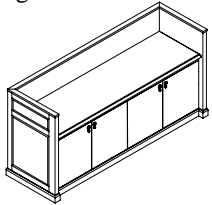
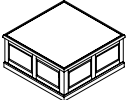
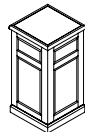
37518

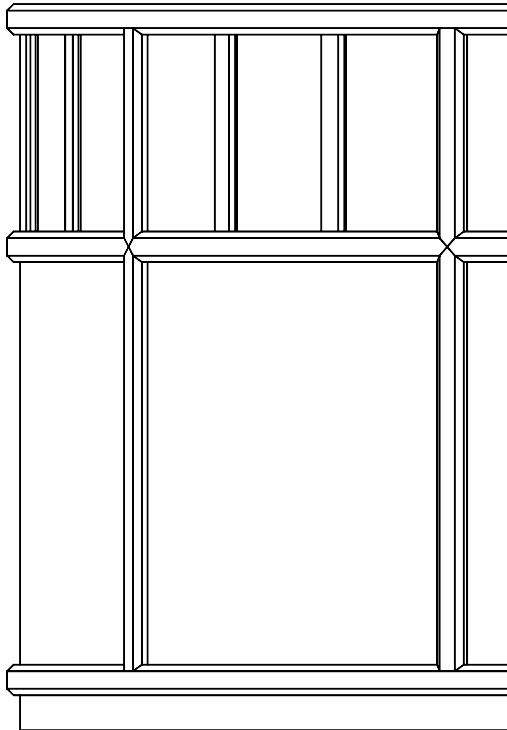
46589

1132

option 1: straight stepped front

option 2: as shown, concave bow front

| Description | Model Number | Overall Dimensions | | | Notes | Price (US\$) | Weight (lbs.) | |
|---|------------------|--------------------|-------|--------|--|--------------|---------------|-----|
| | | Depth | Width | Height | | | | |
| Credenza- Full Hinged Door Storage  | HC0R-2472-HHHH | 24¼ | 72 | 40¾ | 2 bay, 4 hinged doors | 8878 | 10293 | 290 |
| | HC0R-2484-HHHH | 24¼ | 84 | 40¾ | 2 bay, 4 hinged doors | 9227 | 10868 | 309 |
| | HC0R-2496-HHHHHH | 24¼ | 96 | 40¾ | 3 bay, 6 hinged doors | 10753 | 12627 | 348 |
| | | | | | <u>Stand-alone Credenza only</u> option 1: no detail on back option 2: raised panels on back | | | |
| 1 adjustable shelf behind each pair of hinged doors | | | | | | | | |
| Occasional Table Cube  | HTC-3030 | 30 | 30 | 20 | | 2860 | 131 | |
| | HTC-3636 | 36 | 36 | 16 | | 2987 | 165 | |
| | HTC-4242 | 42 | 42 | 16 | | 3363 | 215 | |
| | HTC-4848 | 48 | 48 | 16 | | 4135 | 272 | |
| Display Stand  | HTC-181836 | 18 | 18 | 36 | | 2906 | 83 | |
| | HTC-181842 | 18 | 18 | 42 | | 3108 | 92 | |



TYMPANI

Tympani consists of $\frac{1}{4}$ circle and straight segments with 42 $\frac{1}{2}$ " high gallery fronts. Detail and rhythm are developed through a pattern of applied solid wood mullion and muntin strips. An optional version is available without vertical mullion. A 3" high toekick base is recessed $\frac{3}{4}$ " and faced with black plastic laminate. Work and transaction surfaces are 1 $\frac{3}{4}$ " thick with bevel eased edges. In-line segments are not detailed on adjoining edges and connections are made via simple butt joints. Where bridge segment tops join credenza worksurfaces, the edge is interrupted and continued with an inside mitered connection. This allows a smooth transition between worksurfaces. The inside face of the vertical panels (i.e. The kneespace and "tackboard" area) is surfaced in black laminate. Black locks are standard on all drawers and are keyed alike by set-up.

Legs and aprons on occasional tables are standard w/ leather wrap. The smaller inset panels on the reception workstation may also be specified w/ leather surfaces for a nominal upcharge.

This price list allows a certain amount of flexibility with the drawer storage components. The box-box-file pedestals (6-6-12) indicated with the letters A or C and the file-file (12-12) indicated with the letters B or D are interchangeable. Within the model number, the letters after the dimensional numbers communicate the drawer configuration. These letters indicate the sequence and type of drawer storage on the unit. The A, B, C and D pedestals are interchangeable at the same price. Tympani freestanding pedestals are finished on two sides.

The overall dimensions indicated include any protrusions, overhang or thickness of detail(s). When multiple components are configured together to form large assemblies, these detail dimensions will include the elimination of conflicting or duplicated detail. Top dimensions indicated are for the net (usable) worksurface area.

Please note that pedestals are only located in straight return sections, except where noted. Due to the geometrics involved, the use of pedestals in curved sections is highly impractical in terms of seated usability,

CONFIGURATION EXAMPLES

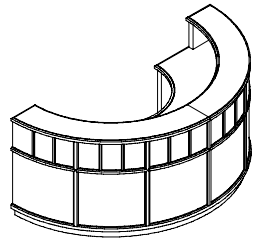
Description

Notes

Price (US\$)
no mullions full detail

Weight (lbs.)

Gallery Desk

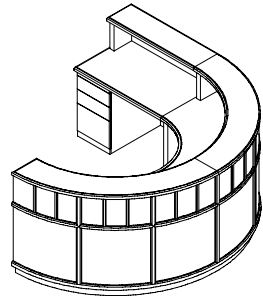


YD0RT-50100-C-GL2
overall dimension 50"D x 100"W x 42"H
Desk top: 26" depth

1 freestanding letter width
b/b/f pedestal

19973 23928 588

Gallery Desk w/ Return



YGAL-92100-AB-GL3
overall dimension 92"D x 100"W x 42"H
Desk top: 26" depth
Return top: 26" x 42"

letter width b/b/f & f/f pedestals
both freestanding

24237 29233 741

YGAL-104100-AB-GL3
overall dimension 104"D x 100"W x 42"H
Desk top: 26" depth
Return top: 26" x 54"

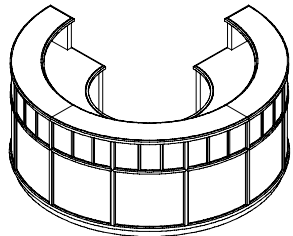
letter width b/b/f & f/f pedestals
both freestanding

24600 29593 770

Specify Left or Right (seated)

(Left indicated)

Circle Configuration Rear Entry



YGR-85100-GL3
overall dimension 85"D x 100"W x 42"H
Desk top: 26" depth

no pedestals

26520 32452 733

CONFIGURATION EXAMPLES

Description

Notes

Price (US\$)
no mullions full detail

Weight (lbs.)

"U" Configuration Rear Entry

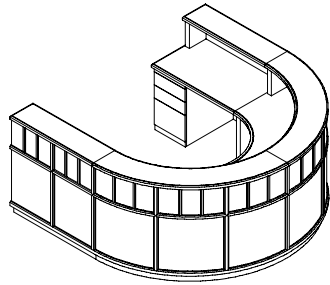
YGM-92100-CD-GL4
overall dimension 92"D x 100"W x 42"H
Desk top: 26" depth
Return top (2): 26" x 42"

legal width b/b/f & f/f pedestals

26971

33006

814



YGM-104100-CD-GL4
overall dimension 104"D x 100"W x 42"H
Desk top : 26" depth
Return top (2): 26" x 54"

legal width b/b/f & f/f pedestals

27693

33728

872

"U" Configuration Side Entry

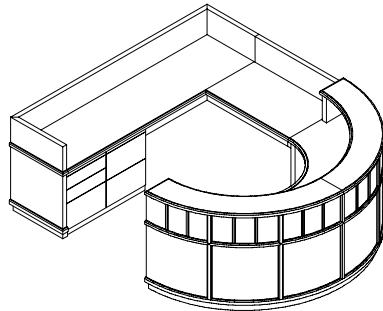
YGCL-120100-CD-GL4
overall dimension 119"D x 100"W x 42"H
Desk top: 26" depth
Bridge top: 26" x 42"
Credenza top: 26" x 97"

legal width b/b/f & f/f pedestals
pedestals are located in the credenza

30013

36051

1026



Specify **L**eft or **R**ight (seated)

(**L**eft indicated)

CONFIGURATION EXAMPLES

Description

Notes

Price (US\$)
no mullions full detail

Weight (lbs.)

Elongated "U"

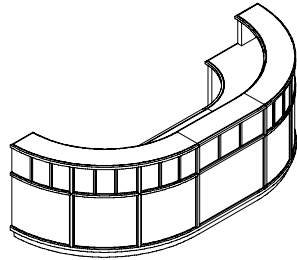
YGM-50142-CD-GL4
overall dimension 50"D x 142"W x 42"H
Desk top: 26" x 42"
Return top (2): 26" depth

legal width b/b/f & f/f pedestals
both freestanding

24600

29595

770



YGM-50154-CD-GL4
overall dimension 50"D x 154"W x 42"H
Desk top: 26" x 54"
Return top (2): 26" depth

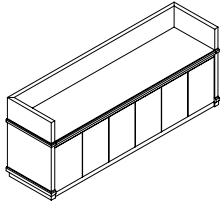
legal width b/b/f & f/f pedestals
both freestanding

24960

29958

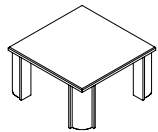
799

| Description | Model Number | Overall Dimensions | | | Notes | Price (US\$) | | Weight (lbs.) |
|------------------------------------|-------------------|--------------------|-------|--------|-----------------------|--------------|-------------|---------------|
| | | Depth | Width | Height | | no mullions | full detail | |
| Credenza- Full Hinged Door Storage | YC0R-28100-HHHHHH | 28 | 100 | 42 | 3 bay, 6 hinged doors | 10786 | 11825 | 433 |

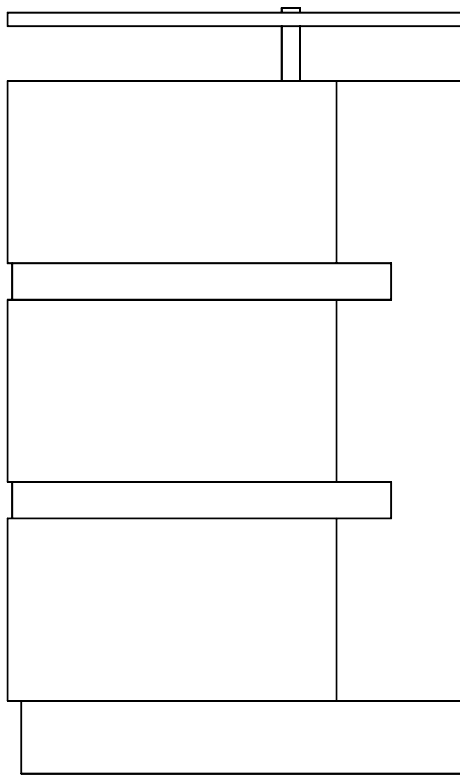


1 adjustable shelf behind each pair of hinged doors

| | | | | | | | |
|--------------------------|------------|----|----|----|--|------|-----|
| Occasional Table w/ legs | YTS4L-3636 | 36 | 36 | 16 | | 2960 | 65 |
| | YTS4L-4242 | 42 | 42 | 16 | | 3136 | 83 |
| | YTS4L-4848 | 48 | 48 | 16 | | 3831 | 103 |



leather wrapped leg inserts, black
leather standard -COL at same price



JANUS

designed by Roberta Gossett

Janus provides a bold opening statement with emphatic horizontal bands linking recessed feature panel with extended corner blocks (“quoins”). A $\frac{3}{4}$ " thick by 12" deep transaction surface is raised 3" above the wood case on $\frac{1}{4}$ " diameter stainless steel posts. Horizontal bands are 2" high, recessed $\frac{1}{2}$ " from the face of the recessed feature panel. A total of three finishes may thus be specified. Maple body/reverse box Birds Eye Maple accent front/Cherry quoins/Black banding is standard. The 12" bowtop transaction surface is standard in tempered glass but may be specified in granite at an upcharge.

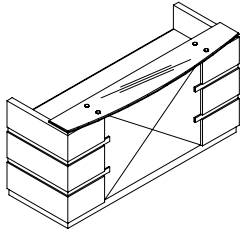
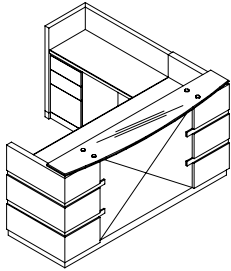
Worksurfaces are $\frac{1}{4}$ " thick with a square edge. Connections between worksurfaces are made via simple butt joints. Black locks are standard on all drawers and are keyed alike by set-up.

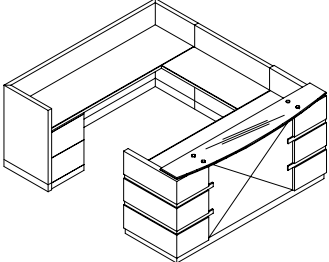
Due to the unique detailing of this product the juncture of desk/return is disguised. See the following configuration and individual component pricing pages for further information.

This price list allows a certain amount of flexibility with the drawer storage components. The box/box/file pedestals (6-6-12) indicated with the letters A or C and the file/file (12-12) indicated with the letters B or D are interchangeable. Within the model number, the letters after the dimensional numbers communicate the drawer configuration. These letters indicate the sequence and type of drawer storage on the unit. The A, B, C and D pedestals are interchangeable at the same price.

The overall dimensions indicated throughout this price list for each item include the projection of the top detail. When components are configured together to form larger assemblies, this projected detail is eliminated but the body of the unit remains the same. Therefore the overall combined dimension of a configuration will not be the sum of the single unit's dimensions. This assures a transition between components that is tight and free of gaps. In some cases duplicated panels may be eliminated for a cleaner appearance. Contact the factory for exact dimensions if overall size of a configured unit is required.

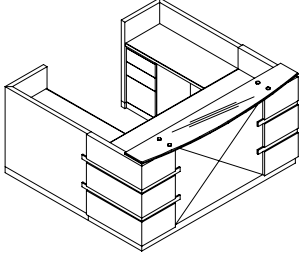
CONFIGURATION EXAMPLES

| | Description | Notes | Price (US\$) | Weight (lbs.) |
|--|--|-----------------------------------|---------------------|----------------------|
| Gallery Desk  | JD0RA-3272-CD-GL2 overall dimension 32"D x 72"W x 43¾"H Desk top: 27½" x 67½" | legal width b/b/f & f/f pedestals | 15304 | 485 |
| | JD0RA-3384-CD-GL2 overall dimension 33"D x 84"W x 43¾"H Desk top: 27½" x 79½" | legal width b/b/f & f/f pedestals | 16255 | 531 |
| | JD0RA-3496-CD-GL2 overall dimension 34"D x 96"W x 43¾"H Desk top: 27½" x 91½" | legal width b/b/f & f/f pedestals | 17207 | 577 |
| Gallery Desk w/ Return  | JGAL-8072-CD-GL3 overall dimension 80"D x 72"W x 43¾"H Desk top: 27½" x 67½" Return top: 18½" x 46" | legal width b/b/f & f/f pedestals | 18393 | 602 |
| | JGAL-8184-CD-GL3 overall dimension 81"D x 84"W x 43¾"H Desk top: 27½" x 79½" Return top: 23½" x 46" | legal width b/b/f & f/f pedestals | 19484 | 663 |
| | JGAL-8296-CD-GL3 overall dimension 82"D x 96"W x 43¾"H Desk top: 27½" x 91½" Return top: 23½" x 46" | legal width b/b/f & f/f pedestals | 20437 | 709 |
| Specify L eft or R ight (seated) | (L eft indicated) | | | |

| Description | Model Number | Overall Dimensions | | | Notes | Price (US\$) | Weight (lbs.) | |
|---|--|--------------------|-------|--------|-----------------------------------|--------------|---------------|--|
| | | Depth | Width | Height | | | | |
| "U" Configuration Side Entry  | JGCL-10472-DC-GL4 | 104" | 72" | 43¾" | legal width b/b/f & f/f pedestals | 22300 | 790 | |
| | overall dimension 104"D x 72"W x 43¾"H | | | | | | | |
| | Desk top: 27½" x 67½" Bridge top: 18½" x 46" Credenza top: 23½" x 67½" | | | | | | | |
| | JGCL-10584-DC-GL4 | 105" | 84" | 43¾" | legal width b/b/f & f/f pedestals | 23654 | 870 | |
| | overall dimension 105"D x 84"W x 43¾"H | | | | | | | |
| | Desk top: 27½" x 79½" Bridge top: 23½" x 46" Credenza top: 23½" x 79½" | | | | | | | |
| | JGCL-10696-DC-GL4 | 106" | 96" | 43¾" | legal width b/b/f & f/f pedestals | 24913 | 941 | |
| | overall dimension 106"D x 96"W x 43¾"H | | | | | | | |
| | Desk top: 27½" x 91½" Bridge top: 23½" x 46" Credenza top: 23½" x 91½" | | | | | | | |

Specify **Left** or **Right** (seated)

(**L**eft indicated)

| | | | | | | | | |
|--|---|-----|-----|------|-----------------------------------|-------|-----|--|
| "U" Configuration Rear Entry  | JGM-8784-CD-GL4 | 87" | 84" | 43¾" | legal width b/b/f & f/f pedestals | 22733 | 789 | |
| | overall dimension 87"D x 84"W x 43¾"H | | | | | | | |
| | Return top: 18½" x 52" Desk top: 27½" x 79½" Return top: 18½" x 52" | | | | | | | |
| | JGM-8896-CD-GL4 | 88" | 96" | 43¾" | legal width b/b/f & f/f pedestals | 23974 | 865 | |
| | overall dimension 88"D x 96"W x 43¾"H | | | | | | | |
| | Return top: 23½" x 52" Desk top: 27½" x 91½" Return top: 23½" x 52" | | | | | | | |

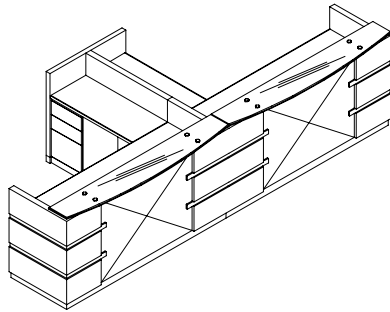
CONFIGURATION EXAMPLES

Description

Notes

Price (US\$) **Weight (lbs.)**

Tandem "T" Workstation



JGF-80142-DCCD-GL6
 overall dimension 80"D x 142"W x 43 ¾"H
 Desk top (2): 27½" x 67½"
 Return top (2): 18½" x 46"

legal width b/b/f & f/f pedestals

34689 1105

JGF-81166-DCCD-GL6
 overall dimension 81"D x 166"W x 43 ¾"H
 Desk top (2): 27½" x 79½"
 Return top (2): 23½" x 46"

legal width b/b/f & f/f pedestals

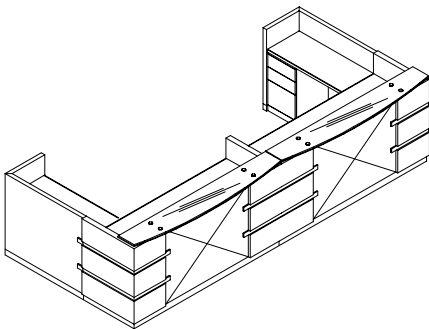
36825 1224

JGF-82190-DCCD-GL6
 overall dimension 82"D x 190"W x 43 ¾"H
 Desk top (2): 27½" x 91½"
 Return top (2): 23½" x 46"

legal width b/b/f & f/f pedestals

38720 1316

Tandem "U" Workstation



JGB-86142-CDDC-GL6
 overall dimension 86"D x 142"W x 43 ¾"H
 Desk top (2): 27½" x 67½"
 Return top (2): 18½" x 52"

legal width b/b/f & f/f pedestals

36075 1186

JGB-87166-CDDC-GL6
 overall dimension 87"D x 166"W x 43 ¾"H
 Desk top (2): 27½" x 79½"
 Return top (2): 23½" x 52"

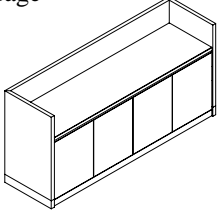
legal width b/b/f & f/f pedestals

38257 1306

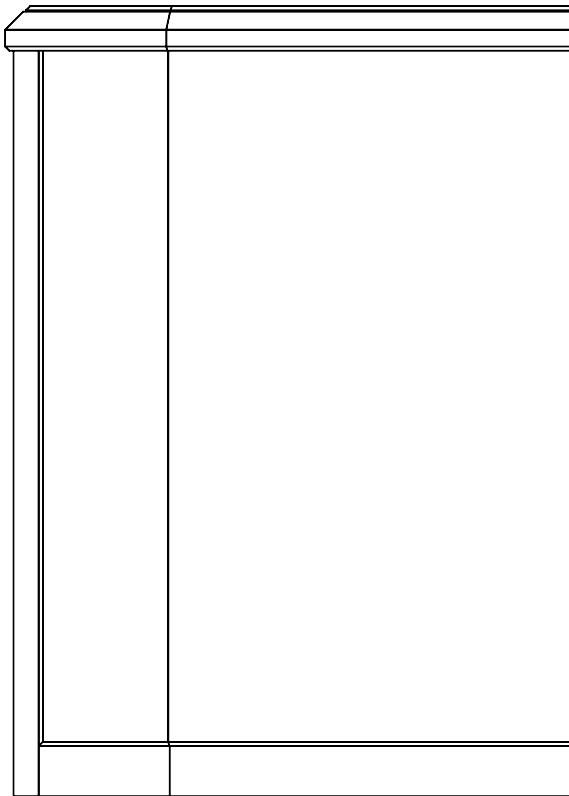
JGB-88190-CDDC-GL6
 overall dimension 88"D x 190"W x 43 ¾"H
 Desk top (2): 27½" x 91½"
 Return top (2): 23½" x 52"

legal width b/b/f & f/f pedestals

40152 1398

| Description | Model Number | Overall Dimensions | | | Notes | Price (US\$) | Weight (lbs.) |
|--|------------------|--------------------|-------|--------|-----------------------|--------------|---------------|
| | | Depth | Width | Height | | | |
| Credenza Full Hinged Door Storage  | JC0R-2672-HHHH | 26 | 72 | 40 | 2 bay, 4 hinged doors | 7311 | 333 |
| | JC0R-2684-HHHH | 26 | 84 | 40 | 2 bay, 4 hinged doors | 7620 | 358 |
| | JC0R-2696-HHHHHH | 26 | 96 | 40 | 3 bay, 6 hinged doors | 9098 | 403 |

1 adjustable shelf behind each pair of hinged doors



TOCOTTA

designed by Don Killaby

Tocotta is a unique combination of design elements that enables the use of different finishes and surface materials to create a product statement of tremendous range. The 2" thick stepped beveled top edge allows within the break of the bevels the first opportunity for material or color contrast. The ¼" raised section of the worksurface is identified as the top element. The edges on all worksurfaces, tables and tops are all mitered. Where adjoining surfaces with the edge profile meet, the edge is interrupted and an inside miter joint provides a continuous transition.

The other design elements that provide for contrast are the recessed 2¼" plinth base and the vertical corner pilaster which is a ⅝" radius column. These components, along with the finish on the drawer interiors, are identified as the trim of the unit and are constructed with solid wood.

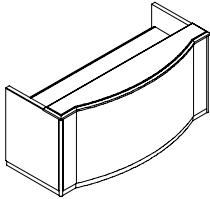
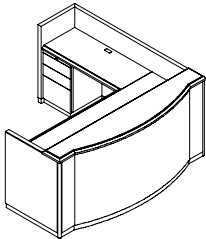
The body of the Tocotta unit is the vertical panels that form the pedestals, the surrounds, and the door and drawer fronts. These panels have subtle ⅜" bevels on their edges. The upper storage components are 1¼" profile with the same ⅜" bevel. Drawers are opened with recessed side finger access. The hinged doors have touch latch hardware or bottom edge access where possible. Necessary exposed hardware is used on lateral file drawers. Black locks are standard on all drawers and are keyed alike by set-up.

This price list allows a certain amount of flexibility with the drawer storage components. The box/box/file pedestals (6-6-12) indicated with the letters A or C and the file/file (12-12) indicated with the letters B or D are interchangeable. Within the model number, the letters after the dimensional numbers communicate the drawer configuration. These letters indicate the sequence and type of drawer storage on the unit. The A, B, C and D pedestals are interchangeable at the same price. All configurations illustrated include one C and one D pedestal.

The overall dimensions indicated include any protrusions, overhang or thickness of detail(s). When multiple components are configured together to form large assemblies, these detail dimensions will include the elimination of conflicting or duplicated detail. Top dimensions indicated are for the net (usable) worksurface area.

For more specific information on Tocotta and how to order or specify, please refer to the separate Tocotta price list.

CONFIGURATION EXAMPLES

| | Description | Notes | Price (US\$) | Weight (lbs.) |
|--|--|-----------------------------------|---------------------|----------------------|
| Gallery Desk  | TDFRT-3672-CD-GL2 overall dimension 36"D x 72 ¾"W x 43"H Desk top: 28" x 68" | legal width b/b/f & f/f pedestals | 15088 | 623 |
| | TDFRT-3784-CD-GL2 overall dimension 36¾"D x 84"W x 43"H Desk top: 28" x 80" | legal width b/b/f & f/f pedestals | 16082 | 667 |
| | TDFRT-3896-CD-GL2 overall dimension 37⅜"D x 96¾"W x 43"H Desk top: 28" x 92" | legal width b/b/f & f/f pedestals | 17085 | 711 |
| Gallery Desk w/ Return  | TGAL-7872-CD-GL3 overall dimension 78"D x 72¾"W x 43"H Desk top: 28" x 68" Return top: 22" x 40" | legal width b/b/f & f/f pedestals | 18848 | 732 |
| | TGAL-7984-CD-GL3 overall dimension 78¾"D x 84¾"W x 43"H Desk top: 28" x 80" Return top: 22" x 40" | legal width b/b/f & f/f pedestals | 19843 | 776 |
| | TGAL-7996-CD-GL3 overall dimension 79⅝"D x 96¾"W x 43"H Desk top: 28" x 92" Return top: 22" x 40" | legal width b/b/f & f/f pedestals | 20847 | 820 |
| Specify L eft or R ight (seated) | (L eft indicated) | | | |

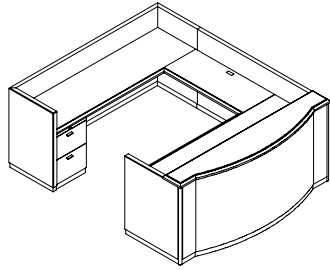
CONFIGURATION EXAMPLES

Description

Notes

Price (US\$) **Weight (lbs.)**

"U" Configuration Side Entry



TGCL-10472-DC-GL4
 overall dimension 104"D x 72¾"W x 43"H
 Desk top: 28" x 68"
 Bridge top: 22" x 42"
 Credenza top: 24" x 68"

legal width b/b/f & f/f pedestals

24043 906

TGCL-10584-DC-GL4
 overall dimension 104¾"D x 84¾"W x 43"H
 Desk top: 28" x 80"
 Bridge top: 22" x 42"
 Credenza top: 24" x 80"

legal width b/b/f & f/f pedestals

25665 973

TGCL-10596-DC-GL4
 overall dimension 105⅞"D x 96¾"W x 43"H
 Desk top: 28" x 92"
 Bridge top: 22" x 42"
 Credenza top: 24" x 92"

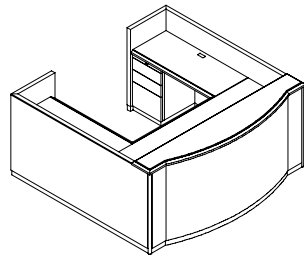
legal width b/b/f & f/f pedestals

27069 1041

Specify **L**eft or **R**ight (seated)

(**L**eft indicated)

"U" Configuration Rear Entry



TGM-7984-CD-GL4
 overall dimension 78¾"D x 84¾"W x 43"H
 Return top: 22" x 40"
 Desk top: 28" x 80"
 Return top: 22" x 40"

legal width b/b/f & f/f pedestals

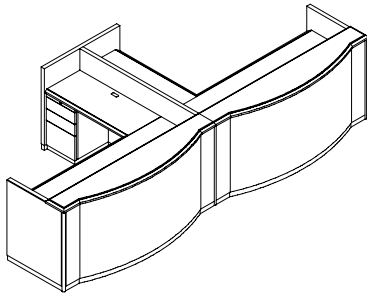
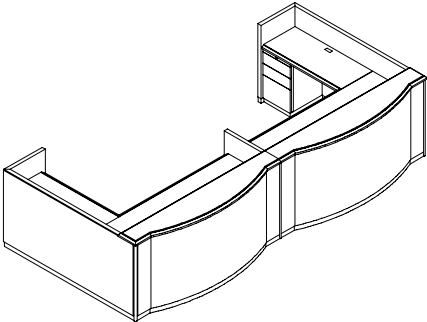
23605 885

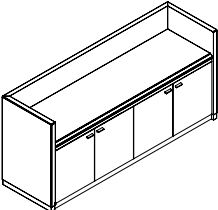
TGM-7996-CD-GL4
 overall dimension 79⅞"D x 96¾"W x 43"H
 Return top: 22" x 40"
 Desk top: 28" x 92"
 Return top: 22" x 40"

legal width b/b/f & f/f pedestals

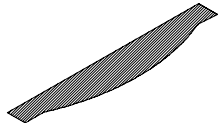
24608 929

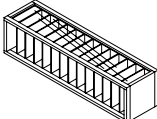
CONFIGURATION EXAMPLES

| | Description | Notes | Price (US\$) | Weight (lbs.) |
|--|---|-----------------------------------|---------------------|----------------------|
| <p>Tandem "T" Workstation</p>  | <p>TGF-78142-DCCD-GL6 overall dimension 78"D x 142"W x 43"H Desk top (2): 28" x 68" Return top (2): 22" x 40"</p> | legal width b/b/f & f/f pedestals | 36742 | 1370 |
| | <p>TGF-79166-DCCD-GL6 overall dimension 78¾"D x 166"W x 43"H Desk top (2): 28" x 80" Return top (2): 22" x 40"</p> | legal width b/b/f & f/f pedestals | 38732 | 1458 |
| | <p>TGF-79190-DCCD-GL6 overall dimension 79⅞"D x 190"W x 43"H Desk top (2): 28" x 92" Return top (2): 22" x 40"</p> | legal width b/b/f & f/f pedestals | 40740 | 1546 |
| <p>Tandem "U" Workstation</p>  | <p>TGB-78142-CDDC-GL6 overall dimension 78"D x 142"W x 43"H Desk top (2): 28" x 66" Return top (2): 22" x 40"</p> | legal width b/b/f & f/f pedestals | 37109 | 1422 |
| | <p>TGB-79166-CDDC-GL6 overall dimension 78¾"D x 166"W x 43"H Desk top (2): 28" x 80" Return top (2): 22" x 40"</p> | legal width b/b/f & f/f pedestals | 39096 | 1510 |
| | <p>TGB-79190-CDDC-GL6 overall dimension 79⅞"D x 190"W x 43"H Desk top (2): 28" x 92" Return top (2): 22" x 40"</p> | legal width b/b/f & f/f pedestals | 41103 | 1598 |

| Description | Model Number | Overall Dimensions | | | Notes | Price (US\$) | Weight (lbs.) |
|---|------------------|--------------------|-------|--------|-----------------------|--------------|---------------|
| | | Depth | Width | Height | | | |
|  | TC0R-2672-HHHH | 26 | 72 | 41¼ | 2 bay, 4 hinged doors | 8711 | 324 |
| | TC0R-2684-HHHH | 26 | 84 | 41¼ | 2 bay, 4 hinged doors | 9339 | 347 |
| | TC0R-2696-HHHHHH | 26 | 96 | 41¼ | 3 bay, 6 hinged doors | 10914 | 391 |

1 adjustable shelf behind each pair of doors

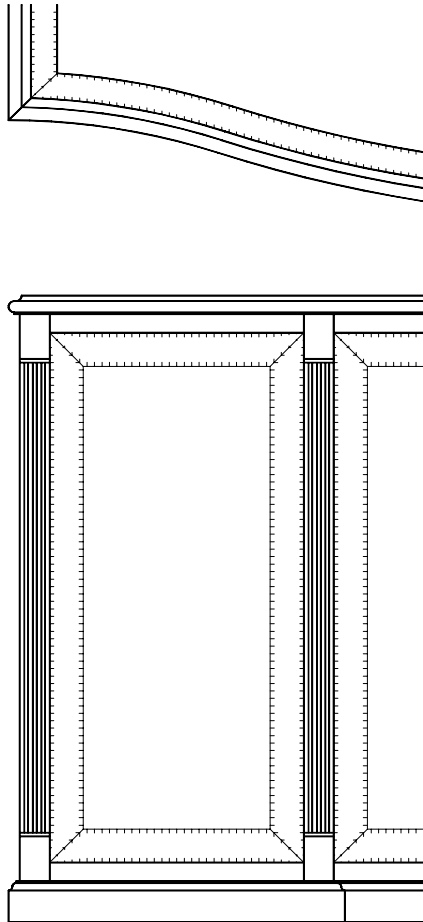
| | | | | | | | |
|---|-----------|----|----|---|--|------|----|
|  | ATTG-1470 | 14 | 70 | ¾ | 72" black granite transaction top upgrade | 2497 | 42 |
| | ATTG-1482 | 14 | 82 | ¾ | 84" black granite transaction top upgrade | 2912 | 49 |
| | ATTG-1494 | 14 | 94 | ¾ | 96" black granite transaction top upgrade | 3327 | 56 |
| | ATT6-1470 | 14 | 70 | ¾ | 72" birdseye maple transaction top upgrade | 748 | |
| | ATT6-1482 | 14 | 82 | ¾ | 84" birdseye maple transaction top upgrade | 869 | |
| | ATT6-1494 | 14 | 94 | ¾ | 96" birdseye maple transaction top upgrade | 997 | |
| | ATTL-1470 | 14 | 70 | ¾ | 72" black leather transaction top upgrade | 389 | |
| | ATTL-1482 | 14 | 82 | ¾ | 84" black leather transaction top upgrade | 436 | |
| | ATTL-1494 | 14 | 94 | ¾ | 96" black leather transaction top upgrade | 484 | |

| | | | | | | | |
|---|-----|----|----|----|--------------------------------|------|----|
|  | AMC | 30 | 3¼ | 3¼ | glass top, plexiglass dividers | 1053 | 10 |
|---|-----|----|----|----|--------------------------------|------|----|

Refer to separate CCN Tocotta pricelist for complete line of matching tables, casegoods etc.

T O C O T T A

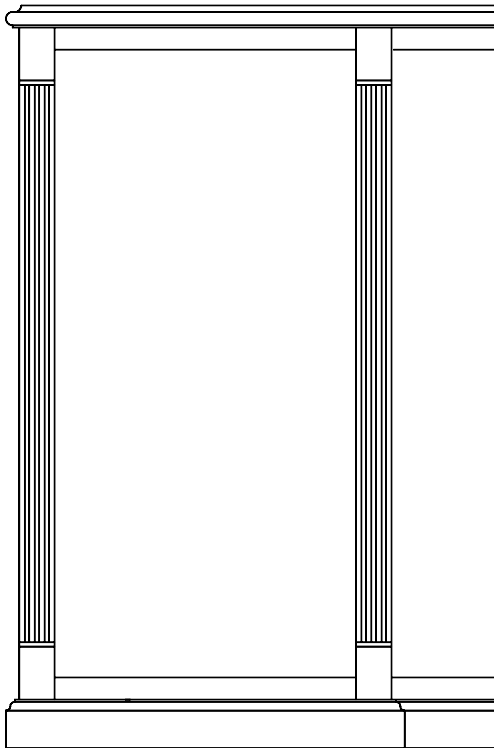
Above pricing reflects standard cherry and maple finishes. Consult sales representative for any variation of size, configuration, finish or wood species.



BARRINGTON

LE

Barrington *LE* is an enhanced version of Barrington that introduces accent borders of quartered figured anigre on primary panels throughout the product offering. This border provides a subtle contrast placed in between the plain sliced bookmatched cherry infield and the traditionally detailed solid wood trim. The standard configuration of these borders is determined by the locations of the vertical pilaster details. Typically there will be one border pattern within the space established by the vertical pilasters. The Barrington *LE* reception desk has a mitered 2¼" short grain border on the front approach panels and mitered 1¾" short grain border on the transaction tops. The reception desk worksurfaces, reception desk drawer fronts and the pilastered table bases DO NOT have the short grain border pattern included in the price. The Barrington *LE* price column reflects the borders as located in the above descriptions. If a different application of the accent border is required than what is outlined in this pricelist, please contact the factory to discuss the desired placement of the borders and the corresponding price, whether on the tops or vertical panels.



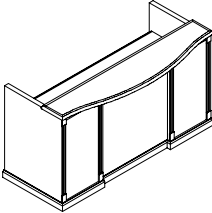
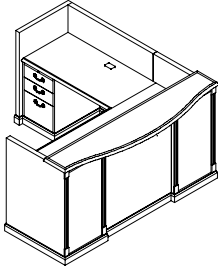
BARRINGTON

Barrington is a traditionally trimmed and detailed product design. The worksurface is 1¼" thick with a reverse ogee edge, supported by a detailed pedestal with 2¾" mitered plinth base. All edges are mitered in the corners. Where return and bridge tops join a desk and credenza worksurface, the edge is interrupted and continued with an inside mitered connection. This allows a smooth transition between worksurfaces. A stepped and fluted stile trims the vertical elements on the approach of the desk, the end panels of door and drawer units, and the vertical panels on upper storage components. The tops of high-rise storage units and anchors have a 3" crown molding to complete the traditional detailing. The approach side of the desk has a stepped modesty panel, and the back of credenzas and storage units are flush, finished and do not include the base detail. The finish on the pulls is bright brass. Black locks are standard on all drawers and are keyed alike by set-up.

This price list allows a certain amount of flexibility with the drawer storage components. The box/box/file pedestals (6-6-12) indicated with the letters A or C and the file/file (12-12) indicated with the letters B or D are interchangeable. Within the model number, the letters after the dimensional numbers communicate the drawer configuration. These letters indicate the sequence and type of drawer storage on the unit. The A, B, C and D pedestals are interchangeable at the same price.

The overall dimensions indicated throughout this price list for each item include the projection of the edge and crown molding details. When components are configured together to form larger assemblies, this projected detail is eliminated and in some cases panels are added or eliminated, but the body of the unit remains the same. Therefore the overall combined dimension of a configuration will not be the sum of the single unit's dimensions. This assures a transition between components that is tight and free of gaps. In some cases, duplicated detail or panels may be eliminated for a cleaner appearance. Contact the factory for exact dimensions if overall size of a configured unit is required.

CONFIGURATION EXAMPLES

| | Description | Notes | Price (US\$) | | Weight (lbs.) |
|--|--|-----------------------------------|---|-------|---------------|
| | | | Standard | LE | |
| Gallery Desk  | GD0RTT-3572-CD-GL2 overall dimension 35¼"D x 72"W x 42½"H Desk top: 27" x 66" | legal width b/b/f & f/f pedestals | 10160 | 11811 | 473 |
| | GD0RTT-3784-CD-GL2 overall dimension 36¾"D x 84"W x 42½"H Desk top: 27" x 78" | legal width b/b/f & f/f pedestals | 10622 | 12487 | 521 |
| | GD0RTT-3896-CD-GL2 overall dimension 38"D x 96"W x 42½"H Desk top: 27" x 90" | legal width b/b/f & f/f pedestals | 11043 | 13123 | 565 |
| | | | LE includes 2¼" figured anigre short grain border on approach front panels with 1¾" figured anigre short grain border on transaction top | | |
| Gallery Desk w/ Return  | GGAL-7772-CD-GL3 overall dimension 77¼"D x 72"W x 42½"H Desk top: 27" x 66" Return top: 22" x 40" | legal width b/b/f & f/f pedestals | 13447 | 15098 | 589 |
| | GGAL-7984-CD-GL3 overall dimension 78¾"D x 84"W x 42½"H Desk top: 27" x 78" Return top: 22" x 40" | legal width b/b/f & f/f pedestals | 13909 | 15775 | 637 |
| | GGAL-8096-CD-GL3 overall dimension 80"D x 96"W x 42½"H Desk top: 27" x 90" Return top: 22" x 40" | legal width b/b/f & f/f pedestals | 14331 | 16411 | 681 |
| | | | LE includes 2¼" figured anigre short grain border on approach front panels with 1¾" figured anigre short grain border on transaction top | | |
| Specify Left or Right (seated) | (Left indicated) | | | | |

CONFIGURATION EXAMPLES

Description

Notes

Price (US\$)
Standard *LE*

**Weight
(lbs.)**

"U" Configuration Side Entry

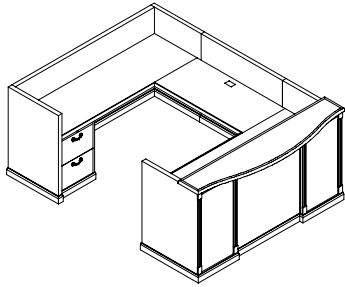
GGCL-10572-DC-GL4
 overall dimension 105¼"D x 72"W x 42½"H
 Desk top: 27" x 66"
 Bridge top: 22" x 42"
 Credenza top: 26" x 66"

legal width b/b/f & f/f pedestals

17742

19393

786



GGCL-10784-DC-GL4
 overall dimension 106¾"D x 84"W x 42½"H
 Desk top: 27" x 78"
 Bridge top: 22" x 42"
 Credenza top: 26" x 78"

legal width b/b/f & f/f pedestals

18542

20407

860

GGCL-10896-DC-GL4
 overall dimension 108"D x 96"W x 42½"H
 Desk top: 27" x 90"
 Bridge top: 22" x 42"
 Credenza top: 26" x 90"

legal width b/b/f & f/f pedestals

19297

21377

930

Specify **Left** or **Right** (seated)

(**L**eft indicated)

LE includes 2¼" figured anigre short grain border on approach front panels with 1¾" figured anigre short grain border on transaction top

"U" Configuration Rear Entry

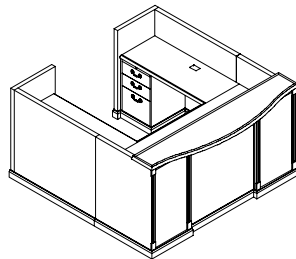
GGM-7984-CD-GL4
 overall dimension 78¾"D x 84"W x 42½"H
 Return top: 22" x 40"
 Desk top: 27" x 78"
 Return top: 22" x 40"

legal width b/b/f & f/f pedestals

17200

19062

753



GGM-8096-CD-GL4
 overall dimension 80"D x 96"W x 42½"H
 Return top: 22" x 40"
 Desk top: 27" x 90"
 Return top: 22" x 40"

legal width b/b/f & f/f pedestals

17618

19697

797

LE includes 2¼" figured anigre short grain border on approach front panels with 1¾" figured anigre short grain border on transaction top

CONFIGURATION EXAMPLES

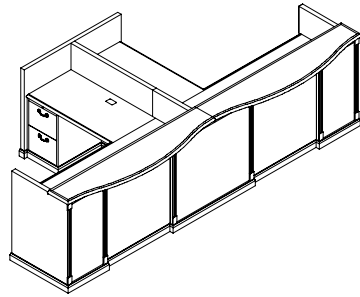
Description

Notes

Price (US\$)
Standard *LE*

**Weight
(lbs.)**

Tandem "T" Workstation



GGF-77144-CDDC-GL6
 overall dimension 77¼"D x 144"W x 42½"H
 Desk top (2): 27" x 68½"
 Return top (2): 22" x 40"

legal width b/b/f & f/f pedestals

24739

28040

1081

GGF-79168-CDDC-GL6
 overall dimension 78¾"D x 168"W x 42½"H
 Desk top (2): 27" x 80¼"
 Return top (2): 22" x 40"

legal width b/b/f & f/f pedestals

25644

29376

1175

GGF-80192-CDDC-GL6
 overall dimension 80"D x 192"W x 42½"H
 Desk top (2): 27" x 92¼"
 Return top (2): 22" x 40"

legal width b/b/f & f/f pedestals

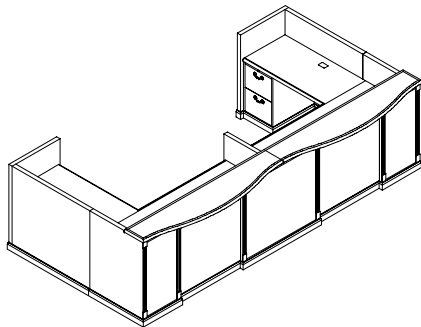
26476

30636

1261

LE includes 2¼" figured anigre short grain border on approach front panels with 1¾" figured anigre short grain border on transaction top

Tandem "U" Workstation



GGB-77144-DCCD-GL6
 overall dimension 77¼"D x 144"W x 42½"H
 Desk top (2): 27" x 68¼"
 Return top (2): 22" x 40"

legal width b/b/f & f/f pedestals

25860

29161

1133

GGB-79168-DCCD-GL6
 overall dimension 78¾"D x 168"W x 42½"H
 Desk top (2): 27" x 80¼"
 Return top (2): 22" x 40"

legal width b/b/f & f/f pedestals

26765

30497

1227

GGB-80192-DCCD-GL6
 overall dimension 80"D x 96"W x 42½"H
 Desk top (2): 27" x 92¼"
 Return top (2): 22" x 40"

legal width b/b/f & f/f pedestals

27597

31757

1313

LE includes 2¼" figured anigre short grain border on approach front panels with 1¾" figured anigre short grain border on transaction top

CONFIGURATION EXAMPLES

Description

Notes

Price (US\$)
Standard £€

Weight
(lbs.)

Credenza Full Hinged Door Storage

GC0R-2872-HHHH

28 72 40½

2 bay, 4 hinged doors

7793 7793

347

GC0R-2884-HHHH

28 84 40½

2 bay, 4 hinged doors

8131 8131

373

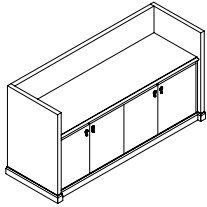
GC0R-2896-HHHHHH

28 96 40½

3 bay, 6 hinged doors

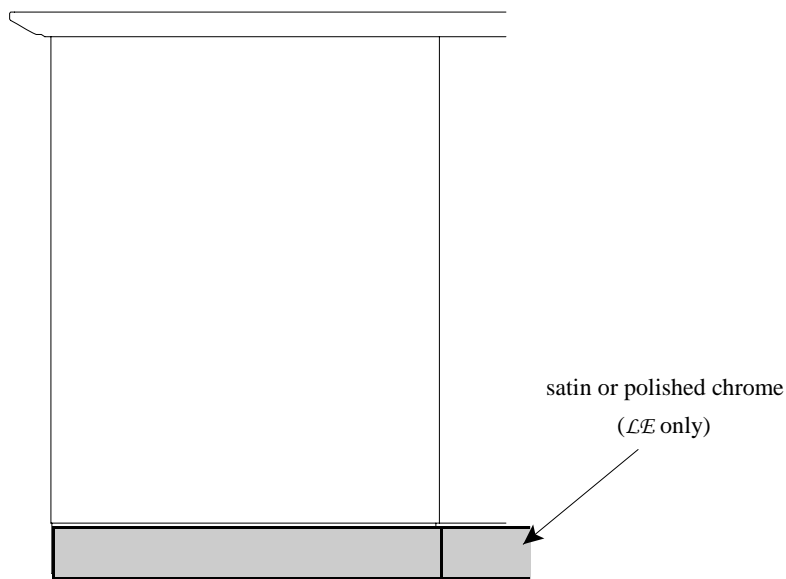
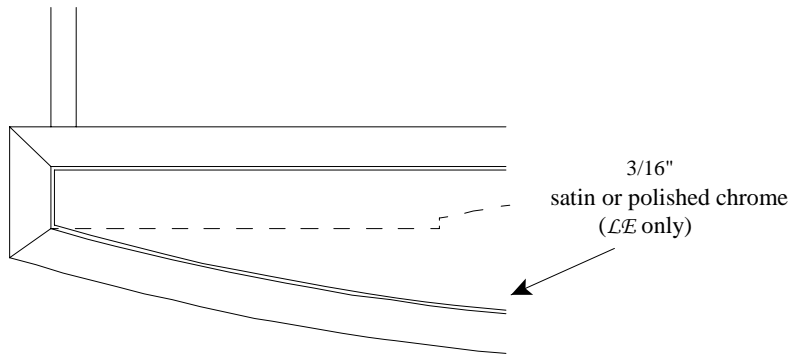
9636 9636

419



1 adjustable shelf behind each pair of hinged doors

Refer to separate CCN Barrington pricelist for complete line of matching tables, casegoods etc.



Charisma Stepped Modesty

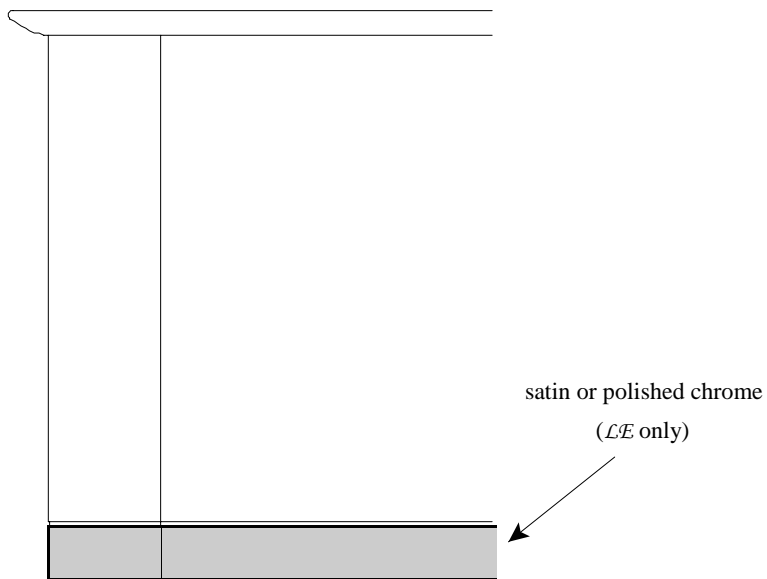
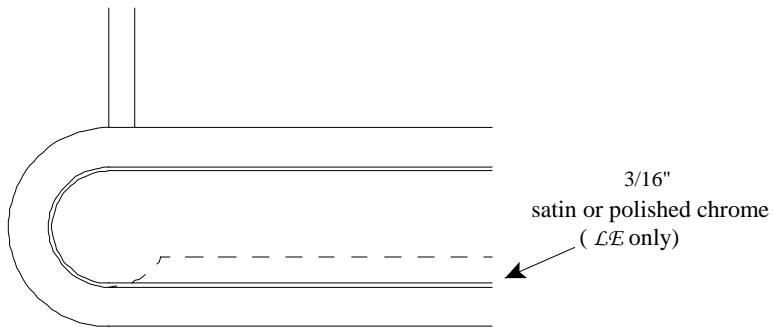
CHARISMA

Charisma is a contemporary design that features a 1¼" cantilevered edge that projects 2". The top of the edge is flush with the worksurface and softened with a ¼" radius. The bottom of the edge is a gentle elliptical shape that forms the knife edge. This knife edge is mitered in all corners. Where return and bridge tops join desk and credenza worksurfaces, the edge is interrupted and continued with an inside mitered connection. The tops are supported by square cornered pedestals with a flush 2¾" high mitered hardwood base. This horizontal base is separated from the vertical side panel with an ⅛" recessed reveal. Where a pedestal is not present, there are vertical support panels that are 1¼" thick with square edges. The approach side of the desk has a stepped modesty panel, which allows visitor pull-up. The backs of credenzas are flush, finished and do not include the base detail. The finish on the pulls is polished chrome, or satin black. Black locks are standard on all drawers and are keyed alike by set-up.

This price list allows a certain amount of flexibility with the drawer storage components. The box-box-file pedestals (6-6-12) indicated with the letter A or C and the file-file (12-12) indicated with the letter B or D are interchangeable. Within the model number, the letters after the dimensional numbers communicate the drawer configuration. These letters indicate the sequence and type of drawer storage on the unit. The A, B, C and D pedestals are interchangeable at the same price. All configurations illustrated include one C and one D pedestal.

The overall dimensions indicated include any protrusion, overhang or thickness of detail(s). When multiple components are configured together to form larger assemblies, these detail dimensions will include the elimination of conflicting or duplicated detail. Top dimensions indicated are for the net (usable) worksurface area.

As illustrated at left and below, Charisma gallery desks are available in either of two configurations: with a Column End or Stepped Modesty on the approach side. The Column End features a 8¾" diameter tall cylinder at each end and a recessed straight modesty panel between. The Stepped Modesty substitutes a broad flat panel for the ends with a concave bow modesty that is contrasted by a convex bow transaction top.



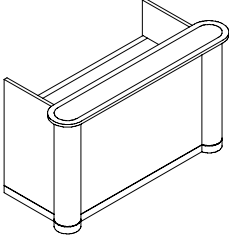
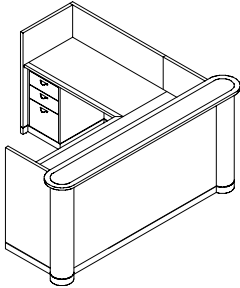
Charisma Column End

CHARISMA LE

Charisma **LE** is an enhanced version of Charisma that incorporates the use of satin or polished chrome accents. The satin or polished chrome finish on the 2½" high plinth bases allow the lower components to float above the floor. This base accent is applied to all Charisma **LE** products. Matching satin or polished chrome transaction top inlays are 3/16" wide and separate the 2" cantilevered edge from the veneer infield. The inlay creates an opportunity to select an optional veneer top of Birdseye Maple, Quartered Figured Anigre or Laurel Burl. Contact factory for pricing on the accent veneer tops.

Charisma **LE** also includes satin or polished chrome enhanced door and drawer hardware. A matching 6" wide bowed handle will be used on reception station door and drawer storage components. The lock plugs on the Charisma **LE** product match the satin or polished chrome finish of the metal accents. Optional wire exit grommets are available in separate Accessories price list, in matching metal finishes.

CONFIGURATION EXAMPLES

| | Description | Notes | Price (US\$) | | Weight (lbs.) |
|---|--|-----------------------------------|--------------|-----------|---------------|
| | | | Standard | <i>LE</i> | |
| Column Corner Gallery Desk  | CDCRTR-3484-CD-GL2 overall dimension 33½"D x 84"W x 42½"H Desk top: 26" x 69½" | legal width b/b/f & f/f pedestals | 10401 | 11721 | 509 |
| | CDCRTR-3496-CD-GL2 overall dimension 33½"D x 96"W x 42½"H Desk top: 26" x 81½" | legal width b/b/f & f/f pedestals | 10736 | 12182 | 544 |
| <i>LE</i> includes 2½"h chrome base, 3/16" chrome transaction top inlay & enhanced chrome access hardware | | | | | |
| Column Corner Gallery Desk w/ Return  | CGALC-7684-CD-GL3 overall dimension 75½"D x 84"W x 42½"H Desk top: 26" x 69½" Return top: 22½" x 40¾" | legal width b/b/f & f/f pedestals | 13676 | 15100 | 625 |
| | CGALC-7696-CD-GL3 overall dimension 75½"D x 96"W x 42½"H Desk top: 26" x 81½" Return top: 22½" x 40¾" | legal width b/b/f & f/f pedestals | 14009 | 15561 | 660 |
| <i>LE</i> includes 2½"h chrome base, 3/16" chrome transaction top inlay & enhanced chrome access hardware | | | | | |
| Specify Left or R ight (seated) | (L eft indicated) | | | | |

CONFIGURATION EXAMPLES

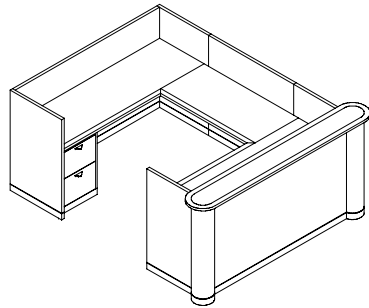
Description

Notes

Price (US\$)
Standard *LE*

Weight (lbs.)

Column Corner
"U" Configuration Side Entry



CGCLC-9884-DC-GL4
overall dimension 97½"D x 84"W x 42½"H
Desk top: 26" x 69½"
Bridge top: 22¾" x 42"
Credenza top: 20½" x 69½"

legal width b/b/f & f/f pedestals

17694 19291

792

CGCLC-9896-DC-GL4
overall dimension 97½"D x 96"W x 42½"H
Desk top: 26" x 81½"
Bridge top: 22¾" x 42"
Credenza top: 20½" x 81½"

legal width b/b/f & f/f pedestals

18349 20102

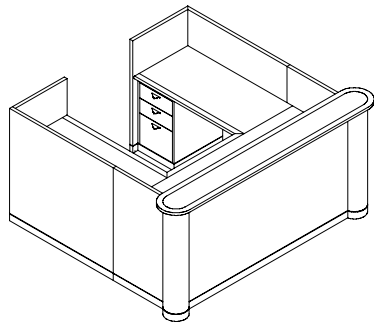
851

Specify Left or Right (seated)

(Left indicated)

LE includes 2½"h chrome base, 3/16" chrome transaction top inlay & enhanced chrome access hardware

Column Corner
"U" Configuration Rear Entry



CGM0C-7684-CD-GL4
overall dimension 75½"D x 84"W x 42½"H
Return top: 22½" x 40¾"
Desk top: 26" x 69½"
Return top: 22½" x 40¾"

legal width b/b/f & f/f pedestals

16947 18477

741

CGM0C-7696-CD-GL4
overall dimension 75½"D x 96"W x 42½"H
Return top: 22½" x 40¾"
Desk top: 26" x 81½"
Return top: 22½" x 40¾"

legal width b/b/f & f/f pedestals

17285 18940

776

LE includes 2½"h chrome base, 3/16" chrome transaction top inlay & enhanced chrome access hardware

CONFIGURATION EXAMPLES

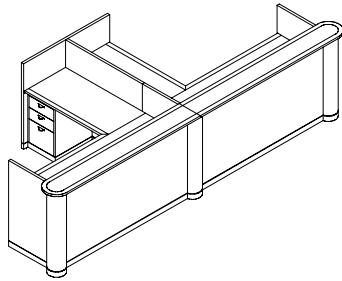
Description

Notes

Price (US\$)
Standard LE

Weight (lbs.)

Column Corner
 Tandem "T" Workstation



CGF0C-76156-DCCD-GL6
 overall dimension 75½"D x 156"W x 42½"H
 Desk top (2): 26" x 69½"
 Return top (2): 22½" x 40¾"

legal width b/b/f & f/f pedestals

24678

27526

1145

CGF0C-76180-DCCD-GL6
 overall dimension 75½"D x 180"W x 42½"H
 Desk top (2): 26" x 81½"
 Return top (2): 22½" x 40¾"

legal width b/b/f & f/f pedestals

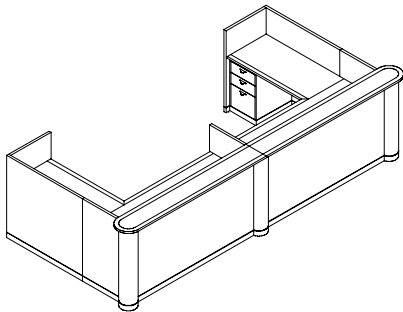
25345

28448

1214

LE includes 2½"h chrome base, 3/16" chrome transaction top inlay & enhanced chrome access hardware

Column Corner
 Tandem "U" Workstation



CGB0C-76156-CDDC-GL6
 overall dimension 75½"D x 156"W x 42½"H
 Desk top (2): 26" x 69½"
 Return top (2): 22½" x 40¾"

legal width b/b/f & f/f pedestals

25785

28634

1197

CGB0C-76180-CDDC-GL6
 overall dimension 75½"D x 180"W x 42½"H
 Desk top (2): 26" x 81½"
 Return top (2): 22½" x 40¾"

legal width b/b/f & f/f pedestals

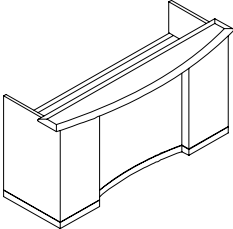
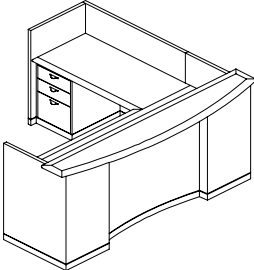
26453

29556

1266

LE includes 2½"h chrome base, 3/16" chrome transaction top inlay & enhanced chrome access hardware

CONFIGURATION EXAMPLES

| | Description | Notes | Price (US\$) | | Weight (lbs.) |
|--|--|-----------------------------------|--------------|-------|---------------|
| | | | Standard | LE | |
| <p>Concave Stepped Modesty Gallery Desk</p>  | <p>CDDRTF-3572-CD-GL2 overall dimension 34½"D x 72"W x 42½"H Desk top: 24" x 65½"</p> | legal width b/b/f & f/f pedestals | 9997 | 11191 | 516 |
| | <p>CDDRTF-3584-CD-GL2 overall dimension 34½"D x 84"W x 42½"H Desk top: 24" x 77½"</p> | legal width b/b/f & f/f pedestals | 10369 | 11691 | 560 |
| | <p>CDDRTF-3596-CD-GL2 overall dimension 34½"D x 96"W x 42½"H Desk top: 24" x 89½"</p> | legal width b/b/f & f/f pedestals | 10740 | 12189 | 605 |
| LE includes 2½"h chrome base, 3/16" chrome transaction top inlay & enhanced chrome access hardware | | | | | |
| <p>Concave Stepped Modesty Gallery Desk w/ Return</p>  | <p>CGALD-7772-CD-GL3 overall dimension 76½"D x 72"W x 42½"H Desk top: 24" x 65½" Return top: 22½" x 40¾"</p> | legal width b/b/f & f/f pedestals | 13271 | 14192 | 632 |
| | <p>CGALD-7784-CD-GL3 overall dimension 76½"D x 84"W x 42½"H Desk top: 24" x 77½" Return top: 22½" x 40¾"</p> | legal width b/b/f & f/f pedestals | 13643 | 15071 | 676 |
| | <p>CGALD-7796-CD-GL3 overall dimension 76½"D x 96"W x 42½"H Desk top: 24" x 89½" Return top: 22½" x 40¾"</p> | legal width b/b/f & f/f pedestals | 14014 | 15568 | 721 |
| LE includes 2½"h chrome base, 3/16" chrome transaction top inlay & enhanced chrome access hardware | | | | | |
| Specify Left or R ight (seated) | (L eft indicated) | | | | |

CONFIGURATION EXAMPLES

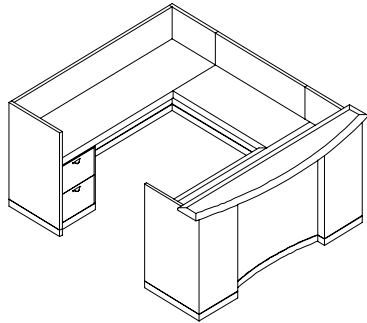
Description

Notes

Price (US\$)
Standard *LE*

Weight (lbs.)

Concave Stepped Modesty
"U" Configuration Side Entry



CGCLD-9972-DC-GL4
overall dimension 98½"D x 72"W x 42½"H
Desk top: 24" x 65½"
Bridge top: 22¾" x 42"
Credenza top: 20½" x 65½"

legal width b/b/f & f/f pedestals

17288

18761

799

CGCLD-9984-DC-GL4
overall dimension 98½"D x 84"W x 42½"H
Desk top: 24" x 77½"
Bridge top: 22¾" x 42"
Credenza top: 20½" x 77½"

legal width b/b/f & f/f pedestals

17983

19612

867

CGCLD-9996-DC-GL4
overall dimension 98½"D x 96"W x 42½"H
Desk top: 24" x 89½"
Bridge top: 22¾" x 42"
Credenza top: 20½" x 89½"

legal width b/b/f & f/f pedestals

18680

20464

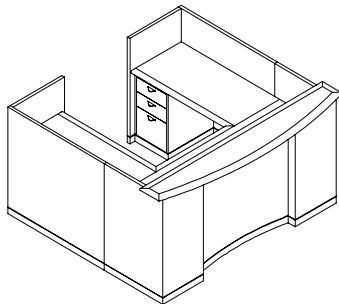
936

Specify Left or Right (seated)

(Left indicated)

LE includes 2½"h chrome base, 3/16" chrome transaction top inlay & enhanced chrome access hardware

Concave Stepped Modesty
"U" Configuration Rear Entry



CGB0D-7784-CD-GL4
overall dimension 76½"D x 84"W x 42½"H
Return top: 22½" x 40¾"
Desk top: 24" x 77½"
Return top: 22½" x 40¾"

legal width b/b/f & f/f pedestals

16917

18448

792

CGB0D-7796-CD-GL4
overall dimension 76½"D x 96"W x 42½"H
Return top: 22½" x 40¾"
Desk top: 24" x 89½"
Return top: 22½" x 40¾"

legal width b/b/f & f/f pedestals

17286

18944

837

LE includes 2½"h chrome base, 3/16" chrome transaction top inlay & enhanced chrome access hardware

CONFIGURATION EXAMPLES

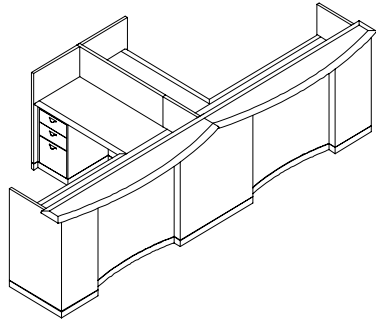
Description

Notes

Price (US\$)
Standard LE

Weight (lbs.)

Concave Stepped Modesty
 Tandem "T" Workstation



CGF0D-77143-DCCD-GL6
 overall dimension 76½"D x 142¾"W x 42½"H
 Desk top (2): 24" x 65½"
 Return top (2): 22½" x 40¾"

legal width b/b/f & f/f pedestals

24397

26997

1167

CGF0D-77167-DCCD-GL6
 overall dimension 76½"D x 166¾"W x 42½"H
 Desk top (2): 24" x 77½"
 Return top (2): 22½" x 40¾"

legal width b/b/f & f/f pedestals

25144

27999

1255

CGF0D-77191-DCCD-GL6
 overall dimension 76½"D x 190¾"W x 42½"H
 Desk top (2): 24" x 89½"
 Return top (2): 22½" x 40¾"

legal width b/b/f & f/f pedestals

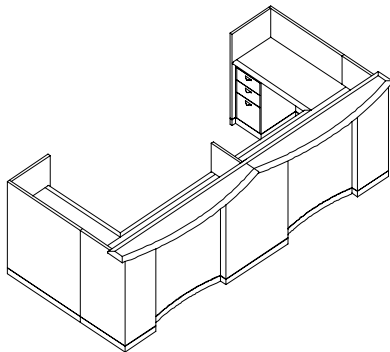
25886

28995

1345

LE includes 2½" h chrome base, 3/16" chrome transaction top inlay & enhanced chrome access hardware

Concave Stepped Modesty
 Tandem "T" Workstation



CGB0D-77143-CDDC-GL6
 overall dimension 76½"D x 142¾"W x 42½"H
 Desk top (2): 24" x 65½"
 Return top (2): 22½" x 40¾"

legal width b/b/f & f/f pedestals

25504

28104

1219

CGB0D-77167-CDDC-GL6
 overall dimension 76½"D x 166¾"W x 42½"H
 Desk top (2): 24" x 77½"
 Return top (2): 22½" x 40¾"

legal width b/b/f & f/f pedestals

26252

29106

1307

CGB0D-77191-CDDC-GL6
 overall dimension 76½"D x 190¾"W x 42½"H
 Desk top (2): 24" x 89½"
 Return top(2): 22½" x 40¾"

legal width b/b/f & f/f pedestals

26994

30102

1397

LE includes 2½" h chrome base, 3/16" chrome transaction top inlay & enhanced chrome access hardware

CONFIGURATION EXAMPLES

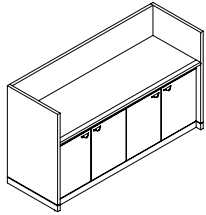
Description

Notes

Price (US\$)
Standard *LE*

**Weight
(lbs.)**

Credenza- Full Hinged Door
 Storage



| CCOR-2772-HHHH | 27 | 72 | 41¼ | 2 bay, 4 hinged doors | 7728 | 7966 | 342 |
|------------------|----|----|-----|-----------------------|------|------|-----|
| CCOR-2784-HHHH | 27 | 84 | 41¼ | 2 bay, 4 hinged doors | 8057 | 8324 | 368 |
| CCOR-2796-HHHHHH | 27 | 96 | 41¼ | 3 bay, 6 hinged doors | 9561 | 9886 | 414 |

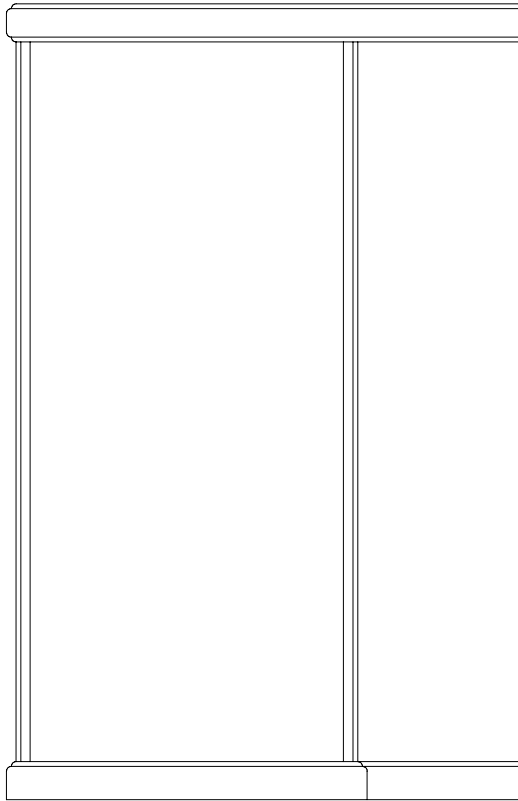
1 adjustable shelf behind each
 pair of hinged doors

LE includes 2½”h chrome base & enhanced chrome access hardware

Refer to separate CCN Charisma pricelist for complete line of matching tables, casegoods etc.

SOLON

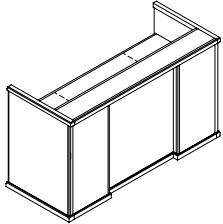
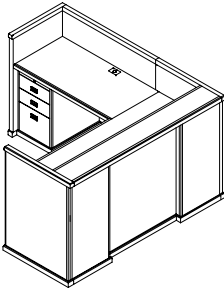
Solon is a transitional product design that incorporates the traditional format of top over a supporting pedestal, set on a mitered plinth base with simple edge detail. The tops are 2" thick with a double ¼" radius on the top and bottom of the solid hardwood edge. These edges are mitered in all corners. Where return and bridge tops join desk and credenza worksurfaces, the edge is interrupted and continued with an inside mitered connection. This allows a smooth transition between worksurfaces. The side panels of each unit have the same double ¼" radius detail on the vertical edges. The 2" high plinth base projects ½" with the double ¼" radius shape on the top corner. The approach side of the desk has a stepped modesty panel in keeping with the traditional format. Backs of credenzas are flush, finished and do not include the base detail. Drawer access is accomplished with a recessed and radiused campaign-style pull. Doors are opened with a single round knob, except where bottom edge access is available, (ie: Hi-Rise Storage.) Both pieces of hardware are standard as bright brass. Black locks are standard on all drawers and are keyed alike by set-up.



This price list allows a certain amount of flexibility with the drawer storage components. The box/box/file pedestals (6-6-12) indicated with the letters A or C and the file/file (12-12) indicated with the letters B or D are interchangeable. Within the model number, the letters after the dimensional numbers communicate the drawer configuration. These letters indicate the sequence and type of drawer storage on the unit. The A, B, C and D pedestals are interchangeable at the same price. All configurations illustrated include one C and one D pedestal.

The overall dimensions indicated include any protrusions, overhang or thickness of detail(s). When multiple components are configured together to form large assemblies, these detail dimensions will include the elimination of conflicting or duplicated detail. Top dimensions indicated are for the net (usable) worksurface area

CONFIGURATION EXAMPLES

| | Description | Notes | Price (US\$) | Weight (lbs.) |
|--|---|------------------------------------|---------------------|----------------------|
| Gallery Desk  | SD0RT-3072-CD-GL2 overall dimension 30"D x 72"W x 42½"H Desk top: 27¼" x 68" | letter width b/b/f & f/f pedestals | 9036 | 435 |
| | SD0RT-3084-CD-GL2 overall dimension 30"D x 84"W x 42½"H Desk top: 27¼" x 80" | legal width b/b/f & f/f pedestals | 9398 | 467 |
| | SD0RT-3096-CD-GL2 overall dimension 30"D x 96"W x 42½"H Desk top: 27¼" x 92" | legal width b/b/f & f/f pedestals | 9763 | 500 |
| Gallery Desk w/ Return  | SGAL-7272-CD-GL3 overall dimension 72"D x 72"W x 42½"H Desk top: 27¼" x 68" Return top: 19½" x 41" | letter width b/b/f & f/f pedestals | 12042 | 549 |
| | SGAL-7284-CD-GL3 overall dimension 72"D x 84"W x 42½"H Desk top: 27¼" x 80" Return top: 19½" x 41" | legal width b/b/f & f/f pedestals | 12402 | 581 |
| | SGAL-7296-CD-GL3 overall dimension 72"D x 96"W x 42½"H Desk top: 27¼" x 92" Return top: 24½" x 41" | legal width b/b/f & f/f pedestals | 12905 | 628 |
| Specify Left or Right (seated) | (Left indicated) | | | |



Above pricing reflects standard cherry and maple finishes. Consult sales representative for any variation of size, configuration, finish or wood species.

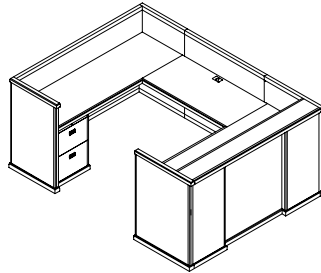
CONFIGURATION EXAMPLES

Description

Notes

Price (US\$) **Weight (lbs.)**

"U" Configuration Side Entry



SGCL-9472-CD-GL4
 overall dimension 93½"D x 72"W x 42½"H
 Desk top: 27¼" x 68"
 Bridge top: 19½" x 44"
 Credenza top: 19½" x 68"

letter width b/b/f & f/f pedestals

15841 725

SGCL-9484-DC-GL4
 overall dimension 93½"D x 84"W x 42½"H
 Desk top: 27¼" x 80"
 Bridge top: 19½" x 44"
 Credenza top: 19½" x 80"

legal width b/b/f & f/f pedestals

16510 782

SGCL-9996-DC-GL4
 overall dimension 98½"D x 96"W x 42½"H
 Desk top: 27¼" x 92"
 Bridge top: 24½" x 44"
 Credenza top: 24½" x 92"

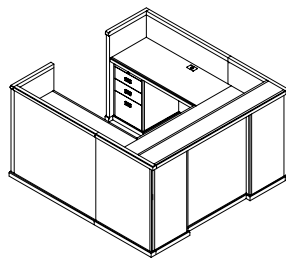
legal width b/b/f & f/f pedestals

17486 876

Specify **Left** or **Right** (seated)

(**L**eft indicated)

"U" Configuration Rear Entry



SGM-7284-CD-GL4
 overall dimension 72"D x 84"W x 42½"H
 Return top: 19½" x 41"
 Desk top: 27¼" x 80"
 Return top: 19½" x 41"

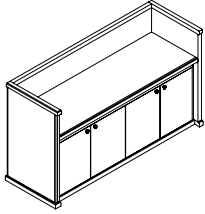
legal width b/b/f & f/f pedestals

15409 695

SGM-7296-CD-GL4
 overall dimension 72"D x 96"W x 42½"H
 Return top: 24½" x 41"
 Desk top: 27¼" x 92"
 Return top: 24½" x 41"

legal width b/b/f & f/f pedestals

15774 728

| Description | Model Number | Overall Dimensions | | | Notes | Price (US\$) | Weight (lbs.) |
|--|------------------|--------------------|-------|--------|-----------------------|--------------|---------------|
| | | Depth | Width | Height | | | |
| Credenza Full Hinged Door Storage  | SC0R-2772-HHHH | 26½ | 72 | 42½ | 2 bay, 4 hinged doors | 7431 | 349 |
| | SC0R-2784-HHHH | 26½ | 84 | 42½ | 2 bay, 4 hinged doors | 7747 | 376 |
| | SC0R-2796-HHHHHH | 26½ | 96 | 42½ | 3 bay, 6 hinged doors | 9236 | 423 |

1 adjustable shelf behind each pair of hinged doors

Refer to separate CCN Solon pricelist for complete line of matching tables, casegoods etc.

ENCLAVE/NUANCE

Enclave is a 2" profile design that features a 1" quarter radius that combines with a 1" 45 degree bevel.

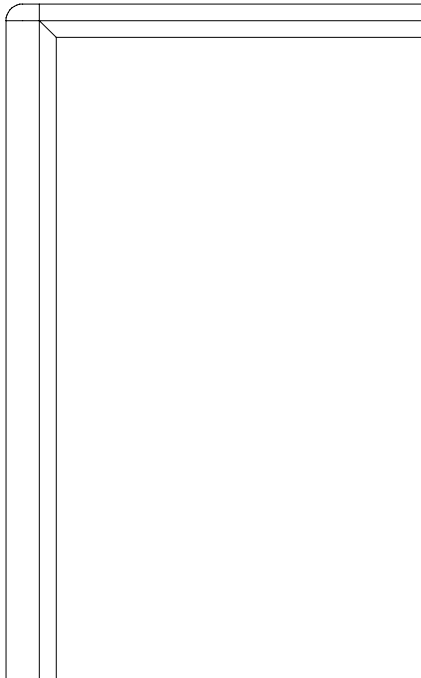
Nuance is a 2" profile that joins a double ¼" radius detail with a 1" 45 degree bevel. These two elements are separated by an ⅛" black rigid vinyl beaded trim.

These designs utilize a counter-profile shape on the ends of return or bridge tops when connecting to a desk or credenza top. This allows a smooth transition between worksurfaces.

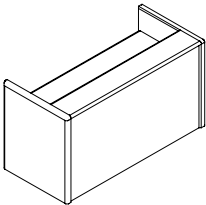
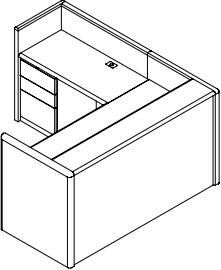
Drawers are opened by recessed side finger access. The hinged doors have touch latch hardware or bottom edge access where possible. Necessary exposed black hardware is used on lateral file drawers. Locks are standard on all drawers and are keyed alike by set-up.

This price list allows a certain amount of flexibility with the drawer storage components. The box/box/file pedestals (6-6-12) indicated with the letters A or C and the file/file (12-12) indicated with the letters B or D are interchangeable. Within the model number, the letters after the dimensional numbers communicate the drawer configuration. These letters indicate the sequence and type of drawer storage on the unit. The A, B, C and D pedestals are interchangeable at the same price. All configurations illustrated include one C and one D pedestal.

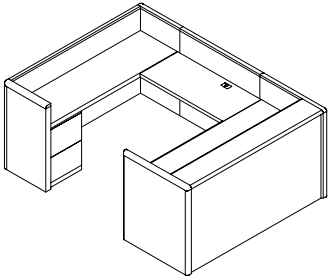
The overall dimensions indicated include any protrusions, overhang or thickness of detail(s). When multiple components are configured together to form large assemblies, these detail dimensions will include the elimination of conflicting or duplicated detail. Top dimensions indicated are for the net (usable) worksurface area



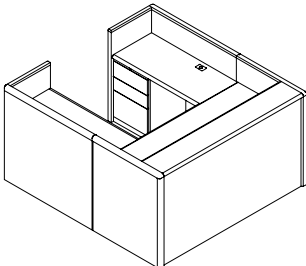
CONFIGURATION EXAMPLES

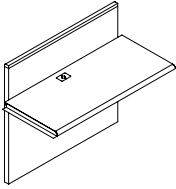
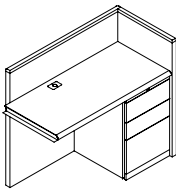
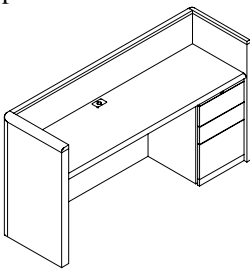
| | Description | Notes | Price (US\$) | Weight (lbs.) |
|--|--|------------------------------------|---------------------|----------------------|
| Gallery Desk  | _DORT-3072-AB-GL2 overall dimension 30"D x 72"W x 41½"H Desk top: 28" x 68" | legal width b/b/f & f/f pedestals | 7989 | 373 |
| | _DORT-3084-CD-GL2 overall dimension 30"D x 84"W x 41½"H Desk top: 28" x 80" | legal width b/b/f & f/f pedestals | 8293 | 396 |
| | _DORT-3096-CD-GL2 overall dimension 30"D x 96"W x 41½"H Desk top: 28" x 92" | legal width b/b/f & f/f pedestals | 8601 | 419 |
| Gallery Desk w/ Return  | _GAL-7272-AB-GL3 overall dimension 72"D x 72"W x 41½"H Desk top: 28" x 68" Return top: 19½" x 41" | letter width b/b/f & f/f pedestals | 10919 | 479 |
| | _GAL-7284-CD-GL3 overall dimension 72"D x 84"W x 41½"H Desk top: 28" x 80" Return top: 19½" x 41" | legal width b/b/f & f/f pedestals | 11227 | 502 |
| | _GAL-7296-CD-GL3 overall dimension 72"D x 96"W x 41½"H Desk top: 28" x 92" Return top: 24½" x 41" | legal width b/b/f & f/f pedestals | 11672 | 537 |
| Specify L or R (seated) | (Left indicated) | | | |

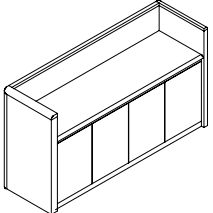
CONFIGURATION EXAMPLES

| | Description | Notes | Price (US\$) | Weight (lbs.) |
|---|--|------------------------------------|---------------------|----------------------|
| <p>"U" Configuration Side Entry</p>  | <p>_GCL-9472-AB-GL4 overall dimension 93½"D x 72"W x 41½"H Desk top: 28" x 68" Bridge top: 19½" x 44" Credenza top: 19½" x 68"</p> | letter width b/b/f & f/f pedestals | 14557 | 640 |
| | <p>_GCL-9484-DC-GL4 overall dimension 93½"D x 84"W x 41½"H Desk top: 28" x 80" Bridge top: 19½" x 44" Credenza top: 19½" x 80"</p> | legal width b/b/f & f/f pedestals | 15180 | 686 |
| | <p>_GCL-9996-DC-GL4 overall dimension 98½"D x 96"W x 41½"H Desk top: 28" x 92" Bridge top: 24½" x 44" Credenza top: 24½" x 92"</p> | legal width b/b/f & f/f pedestals | 16106 | 763 |

Specify **Left** or **Right** (seated) (**L**eft indicated)

| | | | | |
|---|--|-----------------------------------|-------|-----|
| <p>"U" Configuration Rear Entry</p>  | <p>_GM-7284-CD-GL4 overall dimension 72"D x 84"W x 41½"H Return top: 19½" x 41" Desk top: 28" x 80" Return top: 19½" x 41"</p> | legal width b/b/f & f/f pedestals | 14158 | 608 |
| | <p>_GM-7296-CD-GL4 overall dimension 72"D x 96"W x 41½"H Return top: 24½" x 41" Desk top: 28" x 92" Return top: 24½" x 41"</p> | legal width b/b/f & f/f pedestals | 14465 | 631 |

| Description | Model Number | Overall Dimensions | | | Note | Price (US\$) | Weight (lbs.) |
|---|---------------------------|--------------------|-------|--------|-----------------------------------|--------------|---------------|
| | | Depth | Width | Height | | | |
|  | _B0R-2242-0-GL1 | 21½ | 44 | 41½ | | 2162 | 78 |
| | _B0R-2248-0-GL1 | 21½ | 50 | 41½ | | 2319 | 90 |
| | _B0R-2254-0-GL1 | 21½ | 56 | 41½ | | 2479 | 101 |
| | _B0R-2742-0-GL1 | 26½ | 44 | 41½ | | 2264 | 84 |
| | _B0R-2748-0-GL1 | 26½ | 50 | 41½ | | 2423 | 96 |
| | _B0R-2754-0-GL1 | 26½ | 56 | 41½ | | 2582 | 108 |
|  | _R0R-2242-AR-GL1 | 21½ | 43 | 41½ | letter width b/b/f pedestal | 4334 | 186 |
| | _R0R-2248-AR-GL1 | 21½ | 49 | 41½ | legal width b/b/f pedestal | 4491 | 197 |
| | _R0R-2254-AR-GL1 | 21½ | 55 | 41½ | legal width b/b/f pedestal | 4651 | 208 |
| | _R0R-2742-AR-GL1 | 26½ | 43 | 41½ | letter width b/b/f pedestal | 4471 | 198 |
| | _R0R-2748-AR-GL1 | 26½ | 49 | 41½ | legal width b/b/f pedestal | 4631 | 210 |
| | _R0R-2754-AR-GL1 | 26½ | 55 | 41½ | legal width b/b/f pedestal | 4791 | 222 |
| Specify Left or Right (seated) | (Right indicated) | | | | | | |
|  | _C0R-2272-AR-GL1 | 21½ | 72 | 41½ | letter width b/b/f pedestal right | 5809 | 269 |
| | _C0R-2284-AR-GL1 | 21½ | 84 | 41½ | legal width b/b/f pedestal right | 6124 | 292 |
| | _C0R-2296-CR-GL1 | 21½ | 96 | 41½ | legal width b/b/f pedestal right | 6438 | 314 |
| | _C0R-2772-AR-GL1 | 26½ | 72 | 41½ | letter width b/b/f pedestal right | 6004 | 292 |
| | _C0R-2784-AR-GL1 | 26½ | 84 | 41½ | legal width b/b/f pedestal right | 6322 | 316 |
| | _C0R-2796-CR-GL1 | 26½ | 96 | 41½ | legal width b/b/f pedestal right | 6641 | 340 |
| Specify Left or Right (seated) | (Right indicated) | | | | | | |

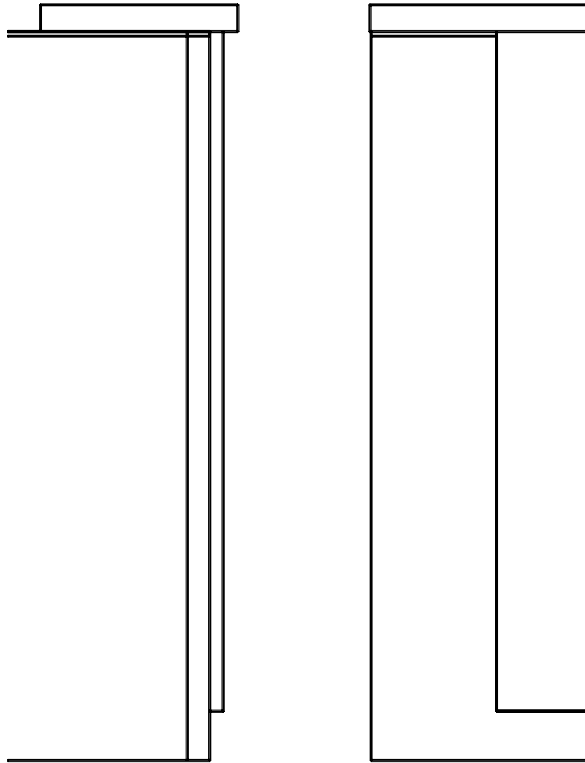
| Description | Model Number | Overall Dimensions | | | Notes | Price (US\$) | Weight (lbs.) |
|---|------------------|--------------------|-------|--------|-----------------------|--------------|---------------|
| | | Depth | Width | Height | | | |
| Credenza- Full Hinged Door Storage  | _C0R-2772-HHHH | 26½ | 72 | 41½ | 2 bay, 4 hinged doors | 7004 | 332 |
| | _C0R-2784-HHHH | 26½ | 84 | 41½ | 2 bay, 4 hinged doors | 7322 | 356 |
| | _C0R-2796-HHHHHH | 26½ | 96 | 41½ | 3 bay, 6 hinged doors | 8666 | 400 |

1 adjustable shelf behind each pair of hinged doors

Refer to separate CCN Enclave/Nuance pricelist for complete line of matching tables, casegoods, etc.

FOUNDATION

Foundation reception desks consist of a 41¼" high Gallery workstation capped by a 1½" high transaction surface (total height = 42¾"). Simple square edged detailing is employed throughout except for the visitor side edge of the transaction surface which may be specified as **a** (bevel), **g** (ogee), **m** (reeded), **q** (square), **r** (bullnose), or **s** (step radius).



Any of six hardware styles may be specified. These include: **1** a square section loop pull, **2** a semi-traditional loop pull, **3** a double ribbed loop pull, **4** a flat bar pull with radiused ends, **5** a tapered loop pull, or **6** a curvilinear pull. Several different finishes are available on each. Please refer to the Foundation pricelist and literature for further information on edge profile and hardware.

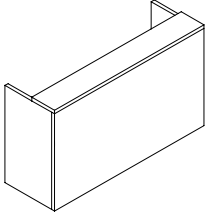
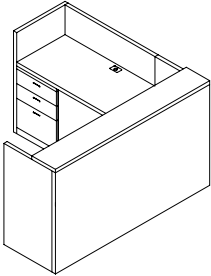
Options include a transaction surface with a bow contour on the approach side and/or Applied Feature Fronts. Five options are offered for Feature Fronts, including plain vertical grain maple or cherry, vertical grain cherry or maple ¼" x ¼" black horizontal reveals, reverse box pattern birdseye maple, chevron pattern sycamore or anigre, or contrast square inlay.

This price list allows a certain amount of flexibility with the drawer storage components. The box/box/file pedestals (6-6-12) indicated with the letters A or C and the file/file (12-12) indicated with the letters B or D are interchangeable. Within the model number, the letters after the dimensional numbers communicate the drawer configuration. These letters indicate the sequence and type of drawer storage on the unit. The A, B, C and D pedestals are interchangeable at the same price. All configurations illustrated include one C and one D pedestal.

The overall dimensions indicated include any protrusions, overhang or thickness of detail(s). When multiple components are configured together to form large assemblies, these detail dimensions will include the elimination of conflicting or duplicated detail. Top dimensions indicated are for the net (usable) worksurface area

Grommets are standard on all gallery workstation components. Foundation gallery workstations may be integrated with other Foundation products. Please refer to the Foundation pricelist for further information

CONFIGURATION EXAMPLES

| | Description | Notes | Price (US\$) | Weight (lbs.) |
|--|--|------------------------------------|---------------------|----------------------|
| Gallery Desk  | _DORT-3072-AB-GL2 overall dimension 30"D x 72"W x 42¾"H Desk top: 28½" x 69" | letter width b/b/f & f/f pedestals | 6709 | 451 |
| | _DORT-3084-CD-GL2 overall dimension 30"D x 84"W x 42¾"H Desk top: 28½" x 81" | legal width b/b/f & f/f pedestals | 6981 | 485 |
| | _DORT-3096-CD-GL2 overall dimension 30"D x 96"W x 42¾"H Desk top: 28½" x 93" | legal width b/b/f & f/f pedestals | 7255 | 519 |
| Gallery Desk w/ Return  | _GAL-7272-AB-GL3 overall dimension 72"D x 72"W x 42¾"H Desk top: 28½" x 69" Return top: 18½" x 40½" | letter width b/b/f & f/f pedestals | 8729 | 568 |
| | _GAL-7284-CD-GL3 overall dimension 72"D x 84"W x 42¾"H Desk top: 28½" x 81" Return top: 22½" x 40½" | legal width b/b/f & f/f pedestals | 9149 | 614 |
| | _GAL-7296-CD-GL3 overall dimension 72"D x 96"W x 42¾"H Desk top: 28½" x 93" Return top: 28½" x 40½" | legal width b/b/f & f/f pedestals | 9621 | 665 |
| Specify L eft or R ight (seated) | (L eft indicated) | | | |

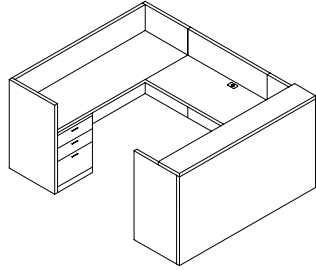
CONFIGURATION EXAMPLES

Description

Notes

**Price
(US\$)** **Weight
(lbs.)**

"U" Configuration Side Entry



_GCL-9672-AB-GL4
overall dimension 96"D x 72"W x 42¾"H
Desk top: 28½" x 69"
Bridge top: 18½" x 40½"
Credenza top: 22½" x 69"

letter width b/b/f & f/f pedestals

11646 771

_GCL-9684-DC-GL4
overall dimension 96"D x 84"W x 42¾"H
Desk top: 28½" x 81"
Bridge top: 22½" x 40½"
Credenza top: 22½" x 81"

legal width b/b/f & f/f pedestals

12233 838

_GCL-10296-DC-GL4
overall dimension 102"D x 96"W x 42¾"H
Desk top: 28½" x 93"
Bridge top: 28½" x 40½"
Credenza top: 28½" x 93"

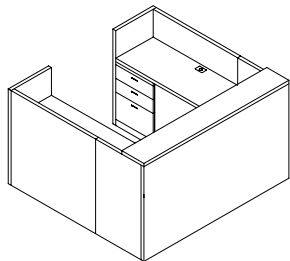
legal width b/b/f & f/f pedestals

13114 945

Specify **L**eft or **R**ight (seated)

(**L**eft indicated)

"U" Configuration Rear Entry



_GM-7284-CD-GL4
overall dimension 72"D x 84"W x 42¾"H
Return top: 22½" x 40½"
Desk top: 28½" x 81"
Return top: 22½" x 40½"

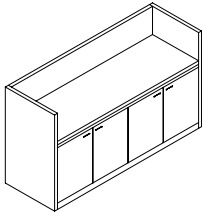
legal width b/b/f & f/f pedestals*

11321 743

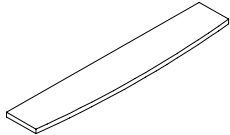
_GM-7296-CD-GL4
overall dimension 72"D x 96"W x 42¾"H
Return top: 28½" x 40½"
Desk top: 28½" x 93"
Return top: 28½" x 40½"

legal width b/b/f & f/f pedestals

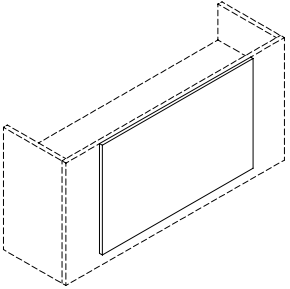
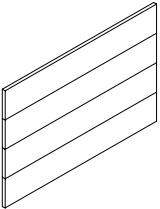
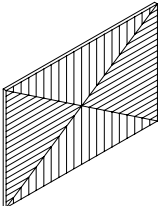
11986 811

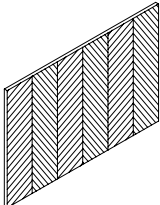
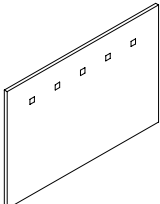
| Description | Model Number | Overall Dimensions | | | Notes | Price (US\$) | Weight (lbs.) |
|--|------------------|--------------------|-------|--------|-----------------------|--------------|---------------|
| | | Depth | Width | Height | | | |
| Credenza Full Hinged Door Storage  | _COR-2472-HHHH | 24 | 72 | 41¼ | 2 bay, 4 hinged doors | 5433 | 351 |
| | _COR-2484-HHHH | 24 | 84 | 41¼ | 2 bay, 4 hinged doors | 5677 | 378 |
| | _COR-2496-HHHHHH | 24 | 96 | 41¼ | 3 bay, 6 hinged doors | 6819 | 425 |

1 adjustable shelf behind each pair of hinged doors

| | | | | | | |
|--|-------------|-----|-----|----|------------------------------|----|
| Bow Front Overlay Transaction Shelf Upgrade  | _WA11F-1472 | 13½ | 72⅞ | 1½ | 72" bowfront transaction top | 57 |
| | _WA11F-1584 | 14½ | 84⅞ | 1½ | 84" bowfront transaction top | 66 |
| | _WA11F-1696 | 15½ | 96⅞ | 1½ | 96" bowfront transaction top | 76 |

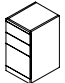
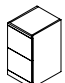
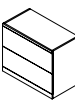
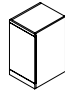
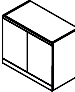
Refer to separate CCN Foundation pricelist for complete line of matching tables, casegoods, etc

| Description | Model Number | Overall Dimensions | | | Notes | Price (US\$) | Weight (lbs.) | |
|---|---|--------------------|-------|--------|-------|--|---------------|----|
| | | Depth | Width | Height | | | | |
| Applied Feature Fronts for Foundation Gallery Desks | | | | | | | | |
| I |  | 1WFI-15838 | 3/4 | 58 | 38 | vertical grain cherry or maple | 1179 | 46 |
| | | 1WFI-16438 | 3/4 | 64 | 38 | | 1218 | 51 |
| | | 1WFI-17038 | 3/4 | 70 | 38 | | 1256 | 55 |
| | | 1WFI-17638 | 3/4 | 76 | 38 | | 1293 | 60 |
| | | | | | | | | |
| II |  | 1WFII-15838 | 3/4 | 58 | 38 | vertical grain cherry or maple with black 1/4" x 1/4" horizontal reveals | 1656 | 46 |
| | | 1WFII-16438 | 3/4 | 64 | 38 | | 1719 | 51 |
| | | 1WFII-17038 | 3/4 | 70 | 38 | | 1781 | 55 |
| | | 1WFII-17638 | 3/4 | 76 | 38 | | 1845 | 60 |
| | | | | | | | | |
| III |  | 1WFIII-15838 | 3/4 | 58 | 38 | reverse box pattern birdseye maple | 2826 | 46 |
| | | 1WFIII-16438 | 3/4 | 64 | 38 | | 3035 | 51 |
| | | 1WFIII-17038 | 3/4 | 70 | 38 | | 3243 | 55 |
| | | 1WFIII-17638 | 3/4 | 76 | 38 | | 3451 | 60 |
| | | | | | | | | |

| Description | Model Number | Overall Dimensions | | | Notes | Price (US\$) | Weight (lbs.) | |
|---|---|--------------------|-------|--------|-------|--------------------------------------|---------------|----|
| | | Depth | Width | Height | | | | |
| Applied Feature Fronts for Foundation Gallery Desks | | | | | | | | |
| IV |  | 1WFIV-15838 | 3/4 | 58 | 38 | quartered figured sycamore or anigre | 2031 | 46 |
| | | 1WFIV-16438 | 3/4 | 64 | 38 | | 2155 | 51 |
| | | 1WFIV-17038 | 3/4 | 70 | 38 | | 2282 | 55 |
| | | 1WFIV-17638 | 3/4 | 76 | 38 | | 2408 | 60 |
| V |  | 1WFV-15838 | 3/4 | 58 | 38 | contrast square inlay options: | 1347 | 46 |
| | | 1WFV-16438 | 3/4 | 64 | 38 | | 1399 | 51 |
| | | 1WFV-17038 | 3/4 | 70 | 38 | | 1456 | 55 |
| | | 1WFV-17638 | 3/4 | 76 | 38 | | 1509 | 60 |
| options: | | | | | | | | |
| * natural cherry in natural maple | | | | | | | | |
| * natural maple in natural cherry | | | | | | | | |
| * black in maple (any CCN standard finish) | | | | | | | | |
| * black in cherry (any CCN standard finish) | | | | | | | | |

58 inch wide Feature Fronts recommended for use on 72 inch wide Gallery Desks
64 inch wide Feature Fronts recommended for use on 78 inch wide Gallery Desks
70 inch wide Feature Fronts recommended for use on 84 inch wide Gallery Desks
76 inch wide Feature Fronts recommended for use on 96 inch wide Gallery Desks

Pedestals

| | Foundation | Enclave Nuance | Remaining Reception Desk Designs | | |
|---|------------|----------------|----------------------------------|---|--------------------------|
| To Add: | | | |  | A or B (box/box/file) |
| an A or C pedestal | 1290 | 1400 | 1525 | | |
| a B or D pedestal | 1290 | 1400 | 1525 | | |
| an E or F pedestal | 1575 | 1700 | 1825 | | |
| an H pedestal | 950 | 1050 | 1170 | | |
| an HH pedestal | 1290 | 1400 | 1525 |  | B or D (file/file) |
| To Substitute for an A, B, C or D pedestal for: | | | | | |
| an E or F pedestal | 285 | 300 | 300 |  | E or F (lateral file) |
| an H pedestal | -340 | -350 | -355 | | |
| an HH pedestal | n/c | n/c | n/c | | |
| To Delete: | | | | | |
| an A or C pedestal | -1290 | -1400 | -1525 |  | H (single door) |
| a B or D pedestal | -1290 | -1400 | -1525 | | |
| A, B, C and D pedestals are interchangeable at the same price | | | |  | HH (double door) |

When substituting or adding pedestals, please ensure that adequate space is available to accommodate desired pedestal configuration